



High output LED yardblaster delivers enough light to hit the broad side of a barn. Durable finish withstands harsh environments.

Color: Silver gray

Weight: 12.0 lbs

<b>Project:</b>	<b>Type:</b>
<b>Prepared By:</b>	<b>Date:</b>

Driver Info		LED Info	
Type	Constant Current	Watts	26W
120V	0.25A	Color Temp	3000K (Warm)
208V	0.16A	Color Accuracy	72 CRI
240V	0.14A	L70 Lifespan	100,000 Hours
277V	0.12A	Lumens	3,531 lm
Input Watts	29.6W	Efficacy	119.3 lm/W

## Technical Specifications

### Electrical

**Driver:**

Constant Current, 120V, 50/60 Hz, 700mA, 120V: 0.6A

**THD:**

6.8% at 120V, 12.4% at 277V

**Power Factor:**

99.5% at 120V, 93.6% at 277V

**Photocell:**

120-277V Twistlock photocell included. Photocell is compatible with 120-277V.

**Surge Protection:**

2kV

### LED Characteristics

**LEDs:**

Multi-chip, high-output, long-life LED

**Color Stability:**

LED color temperature is warrantied to shift no more than 200K in color temperature over a 5-year period

**Color Uniformity:**

RAB's range of Correlated Color Temperature follows the guidelines of the American National Standard for Specifications for the Chromaticity of Solid State Lighting (SSL) Products, ANSI C78.377-2017.

### Performance

**Lifespan:**

100,000-Hour LED lifespan based on IES LM-80 results and TM-21 calculations

### Construction

**Cold Weather Starting:**

The minimum starting temperature is -40°C (-40°F)

**Housing:**

Precision die-cast aluminum housing and arm

**Mounting:**

Mounts on wall or existing arm/pole YARM24 (1 5/8" diameter pipe)

**Effective Projected Area:**

EPA = 0.3

**Recommended Mounting Height:**

15 ft

**Lens:**

High-impact, frosted polycarbonate lens

**Reflector:**

High-reflectance white paint

**Gaskets:**

High-temperature silicone

**Finish:**

Our environmentally friendly polyester powder coatings are formulated for high-durability and long-lasting color

**Green Technology:**

Mercury and UV free. RoHS-compliant components.

### Compliance

**IESNA LM-79 & lm-80 Testing:**

RAB LED luminaires and LED components have been tested by an independent laboratory in accordance with IESNA lm-79 and lm-80

### Other

**Patents:**

The design of YBLED26 is protected by patents pending in US, Canada, China, Taiwan and Mexico

**Buy American Act Compliance:**

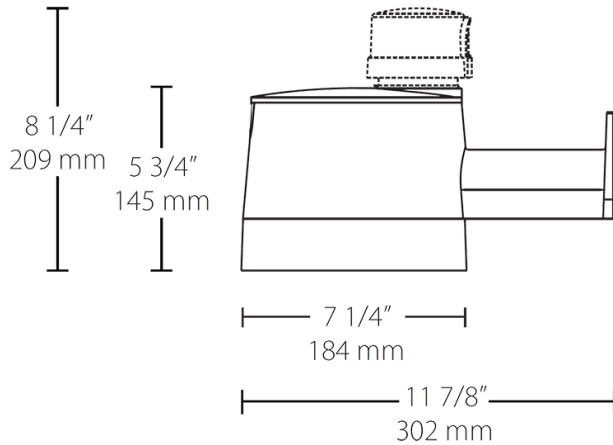
RAB values USA manufacturing! Upon request, RAB may be able to manufacture this product to be compliant with the Buy American Act (BAA). Please contact customer service to request a quote for the product to be made BAA compliant.

**Technical Specifications (continued)**

**Optical**

**BUG Rating:**  
B1 U2 G1

**Dimensions**



**Features**

- Widespread light distribution illuminates large areas
- Vandal-resistant
- High-impact polycarbonate lens
- Rugged die-cast aluminum housing withstands harsh environments
- Integrated dusk to dawn photocell
- 100,000-hour LED lifespan

**Ordering Matrix**

Family	Wattage	Color Temp	Mounting	Dimming	Options
YBLED	26	Y			/PCT
	26 = 26W 40 = 40W 60 = 60W	Blank = 5000K Cool Y = 3000K Warm N = 4000K Neutral	Blank = Wall /ARM = Arm	Blank = No Dimming <sup>3</sup> /D10 = 0-10V Dimming <sup>1</sup>	Blank = Button Photocell <sup>2</sup> /PCU = Standard Button Photocell /PCT = Twistlock Photocell /SPR = 5-Pin Receptacle /LC = Lightcloud® Controller

<sup>1</sup> Available only in 40W & 60W with /SPR or /LC

<sup>2</sup> Standard with 26W

<sup>3</sup> Available only in the Blank, /PCU or /PCT options