



High output LED yardblaster delivers enough light to hit the broad side of a barn. Durable finish withstands harsh environments.

Color: Silver gray

Weight: 12.0 lbs

Project:	Type:
Prepared By:	Date:

Driver Info		LED Info	
Type	Constant Current	Watts	26W
120V	0.5A	Color Temp	3000K (Warm)
208V	N/A	Color Accuracy	72 CRI
240V	N/A	L70 Lifespan	100,000 Hours
277V	N/A	Lumens	3,531 lm
Input Watts	29.6W	Efficacy	119.3 lm/W

Technical Specifications

Compliance

UL Listed:

Suitable for wet locations

IESNA LM-79 & lm-80 Testing:

RAB LED luminaires and LED components have been tested by an independent laboratory in accordance with IESNA lm-79 and lm-80

Electrical

Driver:

Constant Current, 120V, 50/60 Hz, 700mA, 120V: 0.6A, Power Factor: 99.5%

THD:

6.8% at 120V, 12.4% at 277V

Power Factor:

99.5% at 120V, 93.6% at 277V

Photocell:

Integrated 120V compatible photocell included

Surge Protection:

2kV

LED Characteristics

LEDs:

Multi-chip, high-output, long-life LED

Color Stability:

LED color temperature is warranted to shift no more than 200K in color temperature over a 5-year period

Color Uniformity:

RAB's range of Correlated Color Temperature follows the guidelines of the American National Standard for Specifications for the Chromaticity of Solid State Lighting (SSL) Products, ANSI C78.377-2017.

Performance

Lifespan:

100,000-Hour LED lifespan based on IES LM-80 results and TM-21 calculations

Wattage Equivalency:

Equivalent to 150 HPS

Construction

Cold Weather Starting:

The minimum starting temperature is -40°C (-40°F)

Housing:

Precision die-cast aluminum housing and arm

Mounting:

Mounts on pole

Effective Projected Area:

EPA = 0.3

Recommended Mounting Height:

15 ft

Lens:

High-impact, frosted polycarbonate lens

Reflector:

High-reflectance white paint

Gaskets:

High-temperature silicone

Finish:

Our environmentally friendly polyester powder coatings are formulated for high-durability and long-lasting color

Green Technology:

Mercury and UV free. RoHS-compliant components.

Other

Patents:

The design of YBLED26 is protected by patents pending in US, Canada, China, Taiwan and Mexico

Technical Specifications (continued)

Warranty:

RAB warrants that our LED products will be free from defects in materials and workmanship for a period of five (5) years from the date of delivery to the end user, including coverage of light output, color stability, driver performance and fixture finish. RAB's warranty is subject to all terms and conditions found at rablighting.com/warranty.

Buy American Act Compliance:

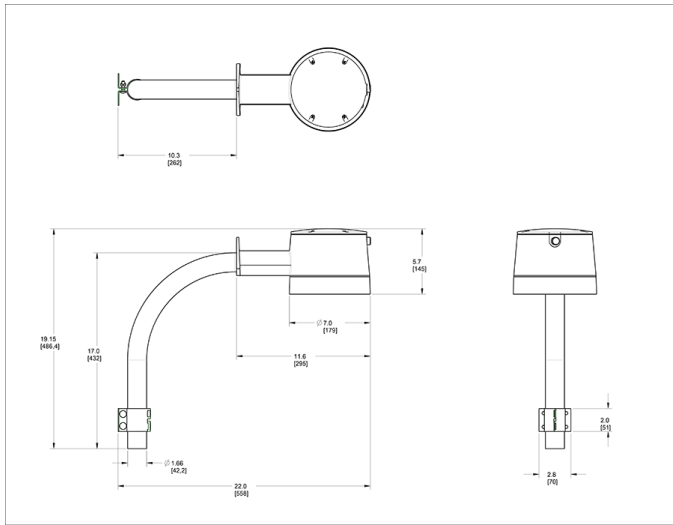
RAB values USA manufacturing! Upon request, RAB may be able to manufacture this product to be compliant with the Buy American Act (BAA). Please contact customer service to request a quote for the product to be made BAA compliant.

Optical

BUG Rating:

B1 U2 G1

Dimensions



Features

- Widespread light distribution illuminates large areas
- Vandal-resistant
- High-impact polycarbonate lens
- Rugged die-cast aluminum housing withstands harsh environments
- Integrated dusk to dawn photocell
- 100,000-hour LED lifespan

Ordering Matrix

Family	Wattage	Color Temp	Mounting	Dimming	Options
YBLED	26	Y	/ARM		
	26 = 26W 40 = 40W 60 = 60W	Blank = 5000K Cool Y = 3000K Warm N = 4000K Neutral	Blank = Wall /ARM = Arm	Blank = No Dimming ³ /D10 = 0-10V Dimming ¹	Blank = Button Photocell ² /PCU = Standard Button Photocell /PCT = Twistlock Photocell /5PR = 5-Pin Receptacle /LC = Lightcloud® Controller

¹ Available only in 40W & 60W with /5PR or /LC

² Standard with 26W

³ Available only in the Blank, /PCU or /PCT options