

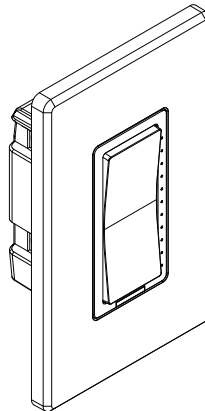
INSTRUCTIONS

Phase Dimmer



RAB Lighting is committed to creating high-quality, affordable, well-designed and energy-efficient LED lighting and controls that make it easy for electricians to install and end users to save energy. We'd love to hear your comments. Please call the Marketing Department at 888-RAB-1000 or email: marketing@rablighting.com

XDIM



IMPORTANT

READ CAREFULLY BEFORE INSTALLING FIXTURE. RETAIN THESE INSTRUCTIONS FOR FUTURE REFERENCE.

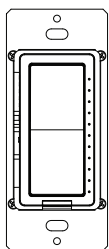
RAB fixture must be wired in accordance with the National Electrical Code and all applicable local codes. Proper grounding is required for safety. THIS PRODUCT MUST BE INSTALLED IN ACCORDANCE WITH THE APPLICABLE INSTALLATION CODE BY A PERSON FAMILIAR WITH THE CONSTRUCTION AND OPERATION OF THE PRODUCT AND THE HAZARDS INVOLVED.

TO PREVENT ELECTRICAL SHOCK, POWER SHOULD BE TURNED OFF AT THE FUSE BOX BEFORE INSTALLATION.

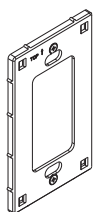
WARNINGS and CAUTIONS:

- To avoid risk of fire and electrical shock, products shall be installed in accordance with electrical code and regulations.
- The product shall be used together with an air-break switch.
- Cut off the power at the circuit breaker or fuse before installation.
- After installing the dimmer, it's recommended to set the minimum brightness level to make bulbs turn on immediately and the dimmer with maximum dimming range.
- If you're not clear about any content of the instructions, please consult the licensed electrician.
- Switch to the leading mode when the inductive load is used.
- To avoid the risk of overheating and possible damage to the equipment, do not use the product to control the receptacle, motor-operated appliance or a transformer-supplied appliance.
- Product should only be used with compatible dimmable LED, CFL, incandescent or halogen products.
- When connecting multiple products with a single dimmer, do not mix product types. All products shall be either dimmable LED, CFL or incandescent products. Using the same type of products will enhance dimmer performance.
- This device complies with Part 15 of the FCC Rules. Operation is subject to the following two conditions: (1) This device may not cause harmful interference, and (2) This device must accept any interference received, including interference that may cause undesired operation.

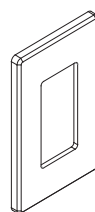
WHAT'S IN THE BOX



Dimmer (1 pcs)



Base Plate (1 pcs)



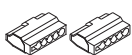
Face Plate (1 pcs)



Jumper Wire (1 pcs)



Mounting Screws (2 pcs)



5PIN Wiring Terminal (2 pcs)



2PIN Wiring Terminal (3 pcs)



Connection Wire (5 pcs)

TOOLS NEEDED

- 5mm Philips Screwdriver
- Electrical Tape
- Electrician Knife
- Test Pencil
- Pliers
- Ruler

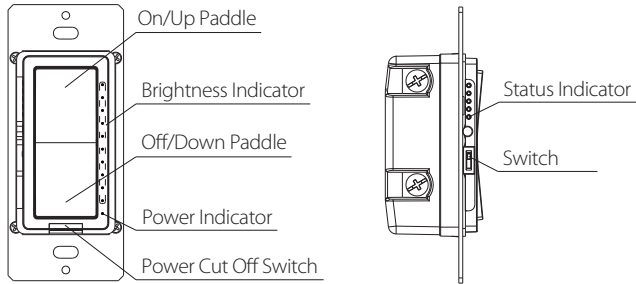
INSTRUCTIONS

Phase Dimmer



RAB Lighting is committed to creating high-quality, affordable, well-designed and energy-efficient LED lighting and controls that make it easy for electricians to install and end users to save energy. We'd love to hear your comments. Please call the Marketing Department at 888-RAB-1000 or email: marketing@rablighting.com

BASIC OPERATION



- Short Press: Within 0.5 seconds
- Long Press: Over 0.5 seconds
- Double Press: Within 1 second

Power Indicator

- White light constant brightness: Power-on stage

On/Up Paddle

- Turn light on: When the light is off, short press the On/Up Paddle once
- Continuously increase brightness: When the light is on, short press the On/Up Paddle, the brightness increases until the brightness reaches 100%
- Gradually increase brightness: When the light is on, press and hold the On/Up Paddle, the brightness will gradually increase until the brightness reaches the minimum level or until the On/Up is released
- Quickly adjust brightness: When the light is on or off, press the On/Up Paddle for 2 consecutive times

Off/Down Paddle

- Turn light off: When the light is on, short press the Off/Down Paddle once
- Quickly adjust to the lowest dim level: When the light is on or off, press the Off/Down Paddle 2 times
- Gradually decrease brightness: When the light is on, press and hold the Off/Down Paddle, the brightness will gradually decrease until the brightness reaches the minimum level or until the Off/Down Paddle is released

Programming Mode

- To enter programming mode, press and hold the On/Up and Off/Down paddle for 3 seconds until the indicator light flashes.
- To set the minimum brightness/low-end trim, press the On/Up Paddle to turn on the lights and adjust to the desired minimum brightness. Short press the Off/Down Paddle 3 times to set.

- To exit programming mode, press and hold the On/Up and Off/Down Paddle for 3 seconds. The dimmer will automatically exit programming mode after 1 minute without operation.

Switch

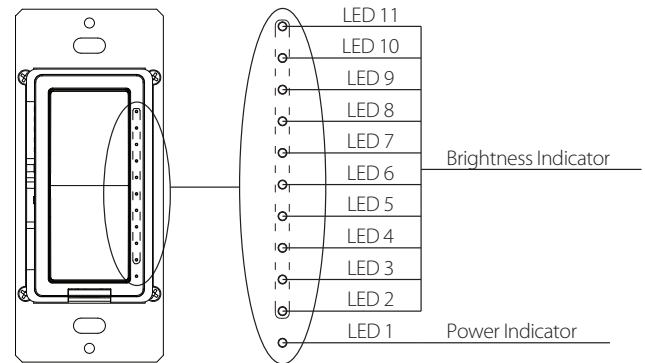
- F: Forward Phase Control (*leading edge control mode*)
- A: Auto detect control mode
- R: Reverse Phase Control (*trailing edge control mode*)

Note: after dip switch adjustment, please power off and then power on again.

Power Cut Off Switch

- Push in to connect to line voltage
- Pull out to disconnect line voltage

Brightness Indicator



No.	Brightness Level	Brightness Indicator
1	Brightness Level 10	LED 2~LED 11
2	Brightness Level 9	LED 2~LED 10
3	Brightness Level 8	LED 2~LED 9
4	Brightness Level 7	LED 2~LED 8
5	Brightness Level 6	LED 2~LED 7
6	Brightness Level 5	LED 2~LED 6
7	Brightness Level 4	LED 2~LED 5
8	Brightness Level 3	LED 2~LED 4
9	Brightness Level 2	LED 2~LED 3
10	Brightness Level 1	LED 2

Note: Brightness Indicator lights will stay illuminated while circuit it powered on.

INSTRUCTIONS

Phase Dimmer



RAB Lighting is committed to creating high-quality, affordable, well-designed and energy-efficient LED lighting and controls that make it easy for electricians to install and end users to save energy. We'd love to hear your comments. Please call the Marketing Department at 888-RAB-1000 or email: marketing@rablighting.com

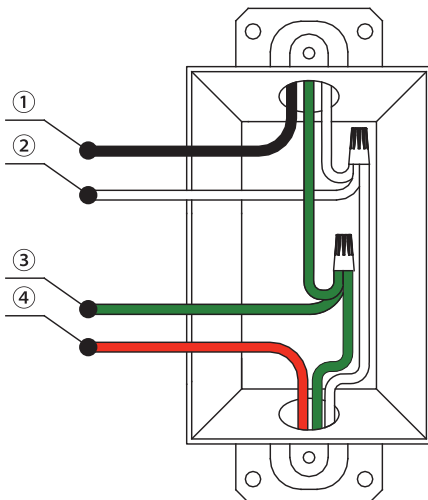
MULTI-GANG INSTALLATION DERATING

Single-Gang Rating	Double-Gang Rating	Triple-Gang Rating
120 Vac, 60 Hz, 500 W Tungsten	120 Vac, 60 Hz, 400 W Tungsten	120 Vac, 60 Hz, 300 W Tungsten
300 W CFL/LED/ Electronic self-ballasted	300 W CFL/LED/ Electronic self-ballasted	300 W CFL/LED/ Electronic self-ballasted
500W ELV 400VA MLV	400W ELV 300VA MLV	300W ELV 200VA MLV

INSTALLATION

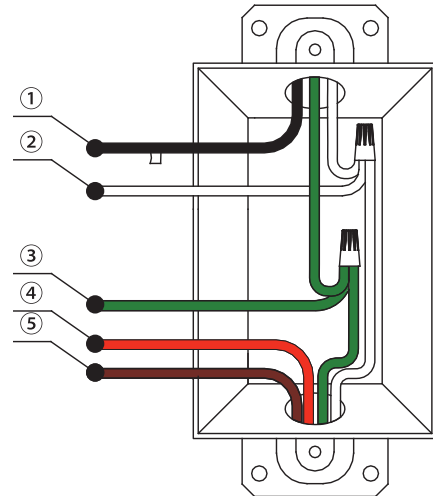
1. Warning: To avoid risk of fire and electrical shock, cut off the power at the circuit breaker or fuse before wiring
2. Remove existing switch: Remove existing wall panel and switch mounting screws. Carefully pull switch from wall box, identify and remove the wires attached to the switch, then remove the switch. Do not remove the wires from the wall at this time. (for new installations where an existing switch does not exist, skip this step.)
3. Identify the type of circuit

Note: If the wiring layout in the wall box does not resemble any of these configurations, consult an electrician.



Single-Pole
① Hot
② Neutral
③ Ground
④ Load

INSTALLATION (cont'd)



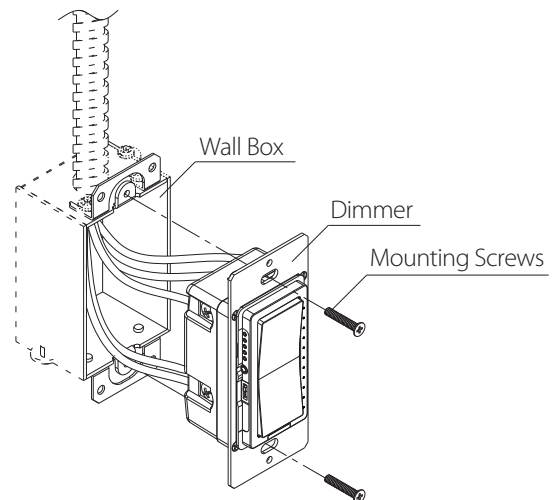
3-Way
① Hot or Load
(see note below)
② Neutral
③ Ground
④ Traveler 1
⑤ Traveler 2

IMPORTANT NOTE: For a Single-Pole application, note that one of the screw terminals from the old switch being removed usually is a different color (Black) or labeled Common. Tag the wire with electrician tape and identify as the Common (hot wire or load) in both the dimmer wall box and Single-Pole wall box.

4. Typical Wiring (see wiring section)

5. Install and fix the dimmer:

Carefully position all wires inside the wall box, leaving enough room to insert the dimmer housing. Secure the dimmer with the mounting screws provided



Note: These instructions do not cover all details or variations in equipment nor do they provide for every possible situation during installation, operation or maintenance.

INSTRUCTIONS

Phase Dimmer

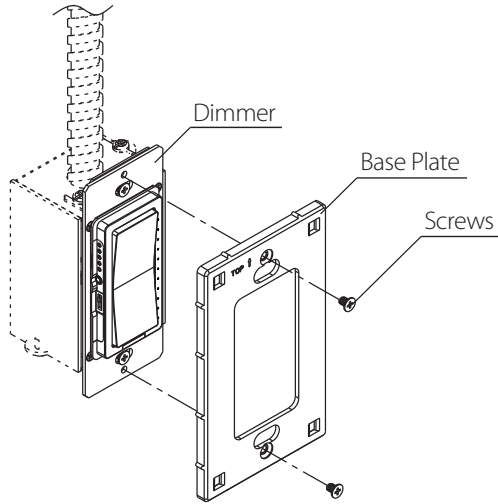


RAB Lighting is committed to creating high-quality, affordable, well-designed and energy-efficient LED Lighting and controls that make it easy for electricians to install and end users to save energy. We'd love to hear your comments. Please call the Marketing Department at 888-RAB-1000 or email: marketing@rablighting.com

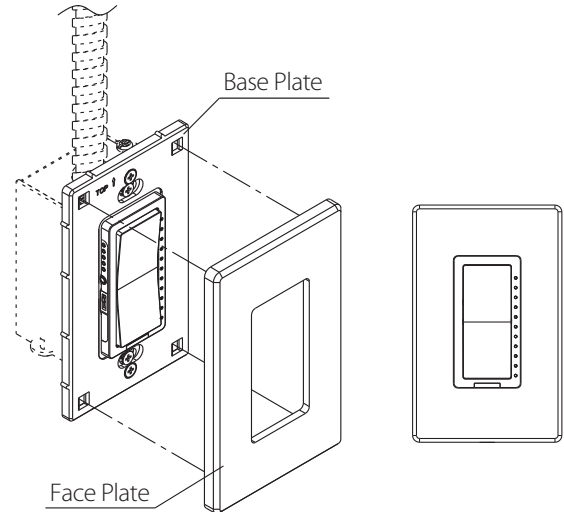
INSTALLATION (cont'd)

6. Install the wall panel

- Place the base plate over the installed dimmer and secure it using provided screws.



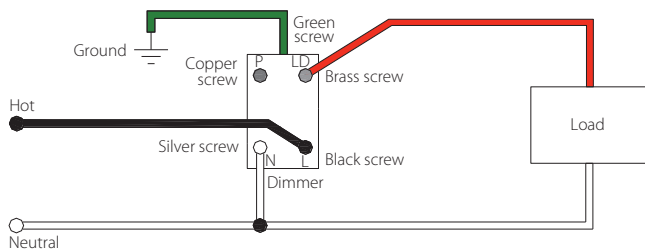
- Connect the face plate to the installed base plate and gently push it until it clicks into place.



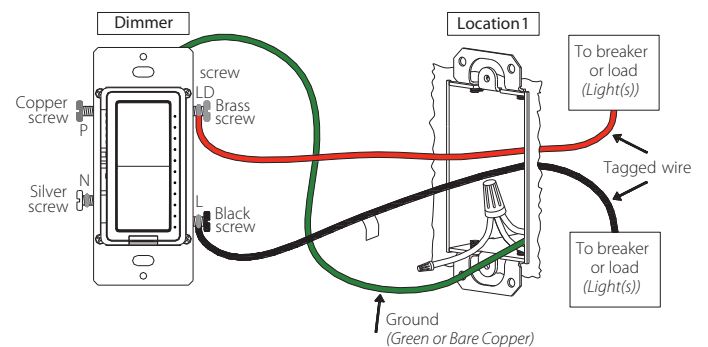
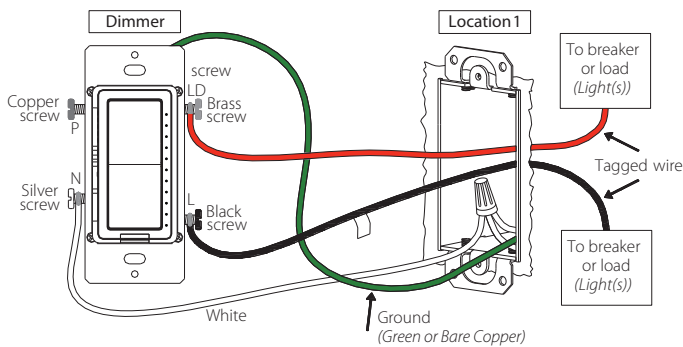
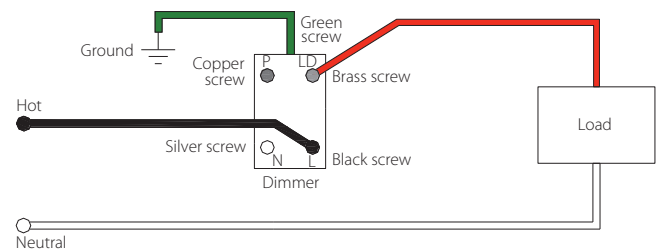
WIRING

1. Single-Pole

Wiring Scheme 1 (neutral and hot wire)



Wiring Scheme 2 (hot wire only)



INSTRUCTIONS

Phase Dimmer

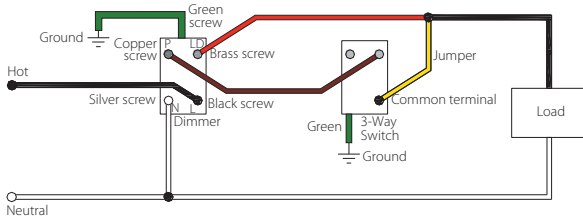


RAB Lighting is committed to creating high-quality, affordable, well-designed and energy-efficient LED Lighting and controls that make it easy for electricians to install and end users to save energy. We'd love to hear your comments. Please call the Marketing Department at 888-RAB-1000 or email: marketing@rablighting.com

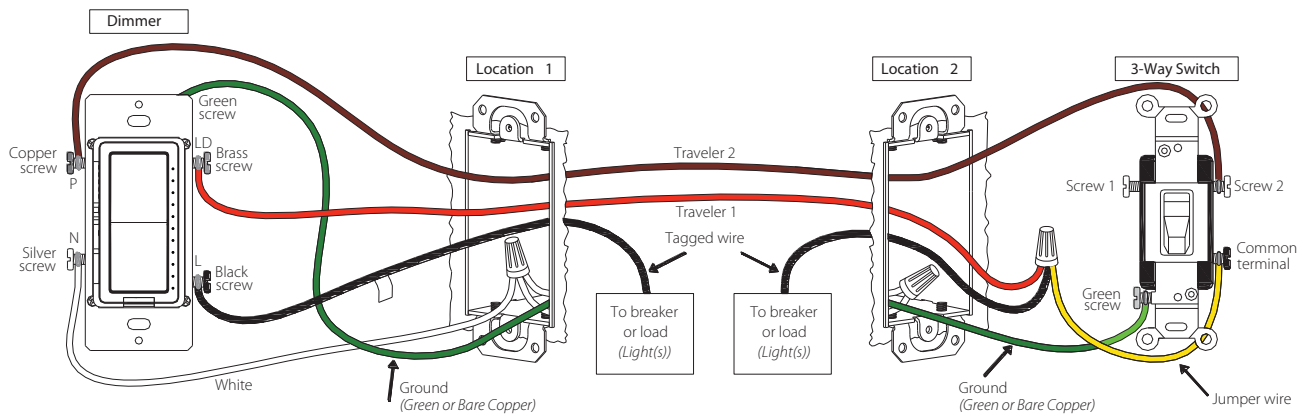
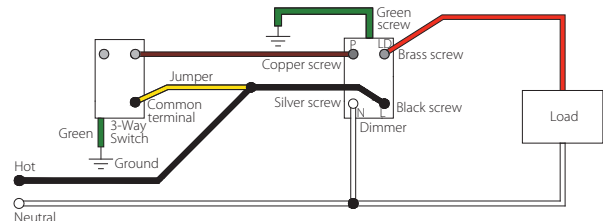
WIRING (cont'd)

2. 3-Way (neutral and hot wire)

Wiring Scheme 3 (dimmer line side)

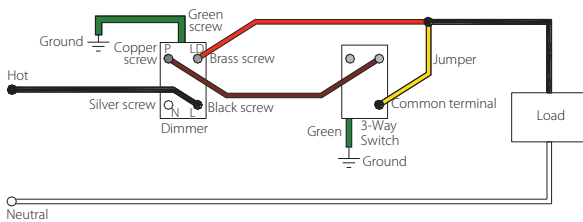


Wiring Scheme 4 (dimmer load side)



3. 3-Way (hot wire only)

Wiring Scheme 5 (dimmer line side)



Wiring Scheme 6 (dimmer load side)

