

Project:	Type:
Prepared By:	Date:

For weatherproof safety, this heavy duty die cast aluminum cover fits round boxes. Supplied with heavy foam rubber gasket and four #10-24 stainless steel screws.

**Technical Specifications**

**Compliance**

**UL Listed:**

Suitable for wet locations

**Construction**

**Covers:**

Heavy duty die cast aluminum

**Screws:**

10-24 Brass Round Head Phillips/slotted

**Gaskets:**

1/8" thick closed cell silicone rubber for long lasting seal won't crumple or break

**Diameter:**

4"

**Tap:**

3/4"

**Other**

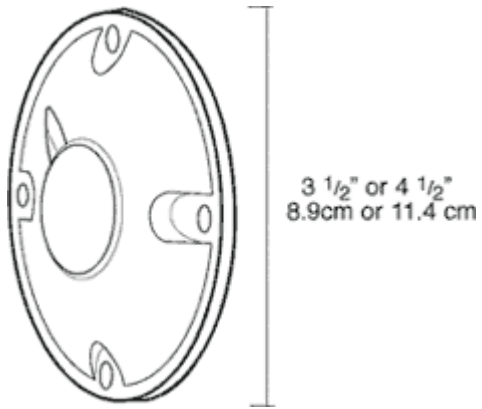
**Replacement Plugs:**

Available for round and rectangular covers and boxes

**Buy American Act Compliance:**

RAB values USA manufacturing! Upon request, RAB may be able to manufacture this product to be compliant with the Buy American Act (BAA). Please contact customer service to request a quote for the product to be made BAA compliant.

**Dimensions**



**Features**

- Stainless steel screws provided
- Die cast aluminum covers are color matched
- Close-up plugs allow Phillips or slotted screwdrivers for easy installation