



Color: Bronze

Weight: 7.5 lbs

Project:	Type:
Prepared By:	Date:

Driver Info		LED Info	
Type	Constant Current	Watts	160/140/120W
120V	1.34A/1.19A/1.02A	Color Temp	3000K/4000K/5000K
208V	0.77A/0.68A/0.58A	Color Accuracy	83-86 CRI
240V	0.67A/0.60A/0.50A	L70 Lifespan	100,000 Hours
277V	0.60A/0.52A/0.46A	Lumens	17,458-24,168 lm
Input Watts	116.4-160.9W	Efficacy	133.9-165.3 lm/W

Technical Specifications

Field Adjustability

Field Adjustable:

Field Adjustable Light Output:
130W/110W/95W (factory default 130W)
Color temperature selectable 3000K, 4000K and 5000K (factory default 4000K)

Compliance

UL Listed:

Suitable for wet locations

IESNA LM-79 & LM-80 Testing:

RAB LED luminaires and LED components have been tested by an independent laboratory in accordance with IESNA LM-79 and LM-80.

IP Rating:

Ingress protection rating of IP65 for dust and water

Trade Agreements Act Compliant:

This product is a product of Cambodia and a "designated country" end product that complies with the Trade Agreements Act

DLC Listed:

This product is listed by Design Lights Consortium (DLC) as an ultra-efficient premium product that qualifies for the highest tier of rebates from DLC Member Utilities. Designed to meet DLC 5.1 requirements.
DLC Product Code: S-AOKIJL

Electrical

Driver:

Constant Current, Class 1, 120-277V, 50/60 Hz
160W: 120V: 1.34A 208V: 0.77A, 240V: 0.67A, 277V: 0.60A
140W: 120V: 1.19A 208V: 0.68A, 240V: 0.60A, 277V: 0.52A
120W: 120V: 1.02A 208V: 0.58A, 240V: 0.50A, 277V: 0.46A

Dimming Driver:

Driver includes dimming control wiring for 0-10V dimming systems. Requires separate 0-10V DC dimming circuit. Dims down to 10%.

THD:

160W: 3.1% at 120V, 5.9% at 277V
140W: 3.0% at 120V, 8.6% at 277V
120W: 2.7% at 120V, 10.4% at 277V

Power Factor:

160W: 99.8% at 120V, 95.2% at 277V
140W: 99.7% at 120V, 93.3% at 277V
120W: 99.6% at 120V, 90.7% at 277V

Photocell:

Integrated photocell included with on/off switch

Optical

NEMA Type:

NEMA Beam Spread of 7H x 7V

LED Characteristics

LEDs:

Long-life, high-efficacy, surface-mount LEDs

Color Uniformity:

RAB's range of Correlated Color Temperature follows the guidelines of the American National Standard for Specifications for the Chromaticity of Solid State Lighting (SSL) Products, ANSI C78.377-2017.

Performance

Lifespan:

100,000-Hour LED lifespan based on IES LM-80 results and TM-21 calculations

Wattage Equivalency:

160W: Replaces up to 750W Metal Halide (MH) or 400W High Pressure Sodium (HPS)
140W: Replaces up to 750W Metal Halide (MH) or 400W High Pressure Sodium (HPS)
120W: Replaces up to 750W Metal Halide (MH) or 400W High Pressure Sodium (HPS)

Construction

Cold Weather Starting:

The minimum starting temperature is -40°C (-40°F)

Maximum Ambient Temperature:

Suitable for use in up to 40°C (104°F)

Technical Specifications (continued)

Housing:

Die-cast aluminum

Mounting:

Trunnion with tilt angle in 30° increments

Tilt Increment:

-90° to +90°

Lens:

Tempered glass

Reflector:

Polyethylene Terephthalate (PET)

Effective Projected Area:

EPA = 0.06

Finish:

Formulated for high durability and long-lasting color

Green Technology:

Mercury and UV free. RoHS-compliant components.

Other**5 Yr Limited Warranty:**

The RAB 5-year, limited warranty covers light output, driver performance and paint finish. RAB's warranty is subject to all terms and conditions found at rablighting.com/warranty.

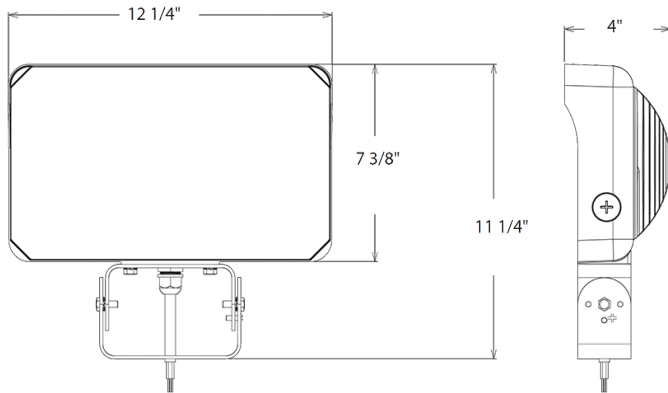
Note:

All values are typical (tolerance +/- 10%)

Buy American Act Compliance:

RAB values USA manufacturing! Upon request, RAB may be able to manufacture this product to be compliant with the Buy American Act (BAA). Please contact customer service to request a quote for the product to be made BAA compliant.

Dimensions



Features

- 100,000-Hour LED lifespan
- IP65 Rated
- 5-Year, limited warranty

Ordering Matrix

Family	Wattages	Mounting	Color Temp	Finish	Driver	Options
X34	XXL	T				
	L = 90/80/70W XL = 130/110/95W XXL = 160/140/120W	Blank = Slipfitter T = Trunnion	Blank = 3000K/4000K/5000K CCT Adjustable	Blank = Bronze W = White	Blank = 120-277V, 0-10V Dimming	Blank = Selectable On/Off Photocell