



| | |
|---------------------|--------------|
| Project: | Type: |
| Prepared By: | Date: |

| Driver Info | | LED Info | |
|-------------|------------------|----------------|---------------|
| Type | Constant Current | Watts | 60W |
| 120V | 0.50A | Color Temp | 2200K-6500K |
| 208V | 0.29A | Color Accuracy | 80 CRI |
| 240V | 0.25A | L70 Lifespan | 100,000 Hours |
| 277V | 0.22A | Lumens | 7,200 lm |
| Input Watts | 60W | Efficacy | 120 |

Technical Specifications

Lightcloud

Lightcloud Blue:

Lightcloud Blue is a Bluetooth Mesh wireless lighting control system that allows you to control RAB's various compatible devices. With RAB's patented Rapid Provisioning technology, devices can be quickly and easily commissioned for residential and large commercial applications using the Lightcloud Blue mobile app. Each device in a system can communicate with any other device, eliminating the need for a Gateway or Hub and maximizing the control system's reach.

DLC system - Interior: N1XMLOEATBA; Exterior: NHCZ2BIA17L

Learn more at www.lightcloud.com.

Gateway Required:

No

Communication Protocol:

Bluetooth Mesh

Range:

Indoor: Up to 60 feet between standard building materials. Building materials such as brick, concrete, and steel construction may require additional Lightcloud Blue devices to extend around an obstruction; Up to 200 feet clear line of sight.

Outdoor: Up to 60 feet clear line of sight; Up to 18 feet around corners

Spacing Criteria:

Lightcloud Blue devices should be placed within the specified range to communicate within the Bluetooth Mesh network.

SmartShift

SmartShift:

SmartShift is the most advanced - yet easiest to use - circadian lighting system, which syncs white color tuning with the local sunrise and sunset. Requires the NANO/LCB (sold separately)

Performance

Product Type:

Floodlight

Description :

Ultra economy without compromise. The X34 is a field-adjustable, general-purpose flood offering output from 1,400 to over 24,000 lumens!

Input Wattage:

60W

Lumens:

7,200lm

Measured Lumens:

3,932lm @ 6500K; 7,429lm @ 2700K; 7,624lm @ 3000K; 8,110lm @ 4000K; 8,131lm @ 5000K

Efficacy:

120lm/W

L70 Lifespan:

100,000-Hour LED lifespan based on IES LM-70 results

Electrical

THD:

<20%

Power Factor:

>0.9

Dimmable:

Yes, via the Lightcloud Blue mobile app and devices. This lamp will not operate properly when connected to a standard (incandescent) dimmer or dimming control.

Input Voltage:

120-277V

Operating Frequency:

60 Hz

Input Current @ 120V (mA):

500mA

Technical Specifications (continued)

Input Current @ 208V (mA):

290mA

Input Current @ 240V (mA):

250mA

Input Current @ 277V (mA):

220mA

Operating Temperature:

-40°F to 104°F (-40°C to -40°C)

Flicker:

<30%

Surge Protection:

2kV

LED Characteristics

Beam Angle:

105X90°

Color Temperature:

Default: 3000K

Adjustable using the Lightcloud Blue mobile app

Tunable White 2200K - 6500K

16+ million RGB colors

Color Accuracy (CRI):

80 CRI

R9 Value:

High color performance with R9 no greater than 3

Color Consistency:

<7-step MacAdam Ellipse binning to achieve consistent fixture-to-fixture color

Installation

Mounting:

Slipfitter

Construction

Shape:

Square

Finish:

White

Enclosure Material:

Metal

Lens:

Glass

Compliance

Listings:

UL Listed, UL Recognized

Environment:

Suitable for use indoors and outdoors in dry, damp, or wet environments.

Fixture Rating:

Suitable for use in enclosed fixtures.

Suitable for use in open fixtures.

IP Rating:

IP65

DLC Listed:

This product is on the Design Lights Consortium (DLC) Qualified Products List and is eligible for rebates from DLC Member Utilities. Designed to meet DLC 5.1 requirements.

California Title 20 Compliant:

No

California Title 24 JA8 Compliant:

No

California Energy Commission (CEC) Status:

Lawful for Sales in California

IESNA LM-79 & LM-80 Testing:

RAB LED luminaires and LED components have been tested by an independent laboratory in accordance with IESNA LM-79 and LM-80.

RoHS:

Mercury and UV free. RoHS-compliant components.

FCC:

Complies with Part 15 of the FCC Rules

Other

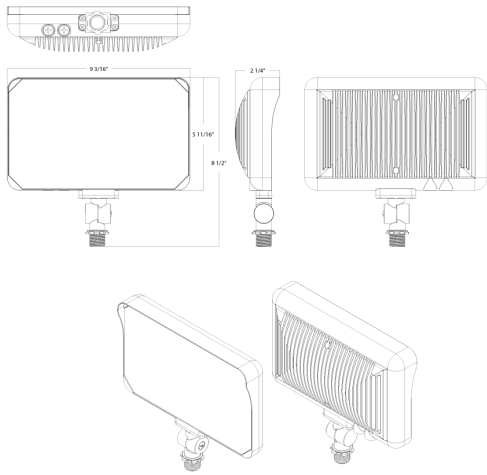
5 Yr Limited Warranty:

The RAB 5-year, limited warranty covers light output, driver performance and paint finish. RAB's warranty is subject to all terms and conditions found at rablighting.com/warranty.

Buy American Act Compliance:

RAB values USA manufacturing! Upon request, RAB may be able to manufacture this product to be compliant with the Buy American Act (BAA). Please contact customer service to request a quote for the product to be made BAA compliant.

Dimensions



Features

- 100,000-Hour LED lifespan
- IP65 Rated
- 5-Year, limited warranty

Ordering Matrix

| Family | Wattage | Mounting | CRI/Color Temp | Finish | Driver | RGB Color Tuning |
|--------|--------------------|-----------------|--|-----------------------------|------------------|---------------------------|
| X34 | M | | | W | | /RGB |
| | S = 30W M = 60W | Blank = Knuckle | Blank = 80 CRI, 2200-6500K Tunable White | Blank = Bronze W = White | Blank = 120-277V | /RGB = 16+ million colors |