



Color: White

Weight: 2.3 lbs

| | |
|---------------------|--------------|
| Project: | Type: |
| Prepared By: | Date: |

| Driver Info | | LED Info | |
|-------------|-------------------|--------------|-------------------|
| Type | Constant Current | Watts | 65/55/45W |
| 120V | 0.60A/0.50A/0.37A | Color Temp | 3000K/4000K/5000K |
| 208V | N/A | Color | 80-83 CRI |
| 240V | N/A | Accuracy | |
| 277V | 0.24A/0.20A/0.17A | L70 Lifespan | 100,000 Hours |
| Input Watts | 42.6-67W | Lumens | 6,346-9,718 lm |
| | | Efficacy | 128.9-166.2 lm/W |

Technical Specifications

Field Adjustability

Field Adjustable:

Field Adjustable Light Output:
65W/55W/45W (factory default 65W)
Color temperature selectable 3000K, 4000K and 5000K (factory default 4000K)

Compliance

UL Listed:

Suitable for wet locations

IESNA LM-79 & LM-80 Testing:

RAB LED luminaires and LED components have been tested by an independent laboratory in accordance with IESNA LM-79 and LM-80.

IP Rating:

Ingress protection rating of IP65 for dust and water

Trade Agreements Act Compliant:

This product is a product of Cambodia and a "designated country" end product that complies with the Trade Agreements Act

DLC Listed:

This product is on the Design Lights Consortium (DLC) Qualified Products List and is eligible for rebates from DLC Member Utilities. Designed to meet DLC 5.1 requirements.
DLC Product Code: S-MZHRW

Electrical

Driver:

Constant Current, Class 1, 120/277V, 50/60 Hz
65W: 120V: 0.60A, 277V: 0.24A
55W: 120V: 0.50A, 277V: 0.20A
45W: 120V: 0.37A, 277V: 0.17A

THD:

65W: 3.6% at 120V, 7.9% at 277V
55W: 4.2% at 120V, 12.2% at 277V
45W: 5.1% at 120V, 17.2% at 277V

Power Factor:

65W: 99.8% at 120V, 96.4% at 277V
55W: 99.8% at 120V, 94.8% at 277V
45W: 99.6% at 120V, 92.8% at 277V

Surge Protection:

2kV

Optical

NEMA Type:

NEMA Beam Spread of 7H x 7V

LED Characteristics

LEDs:

Long-life, high-efficacy, surface-mount LEDs

Color Uniformity:

RAB's range of Correlated Color Temperature follows the guidelines of the American National Standard for Specifications for the Chromaticity of Solid State Lighting (SSL) Products, ANSI C78.377-2017.

Performance

Lifespan:

100,000-Hour LED lifespan based on IES LM-80 results and TM-21 calculations

Wattage Equivalency:

65W: Replaces up to 350W Metal Halide (MH) or 200W High Pressure Sodium (HPS)
55W: Replaces up to 250W Metal Halide (MH) or 200W High Pressure Sodium (HPS)
45W: Replaces up to 200W Metal Halide (MH) or 150W High Pressure Sodium (HPS)

Construction

Cold Weather Starting:

The minimum starting temperature is -40°C (-40°F)

Maximum Ambient Temperature:

Suitable for use in up to 40°C (104°F)

Housing:

Die-cast aluminum

Technical Specifications (continued)

Mounting:

Knuckle mount

Lens:

Glass

Reflector:

Polycarbonate

Finish:

Formulated for high durability and long-lasting color

Green Technology:

Mercury and UV free. RoHS-compliant components.

Other

Note:

All values are typical (tolerance +/- 10%)

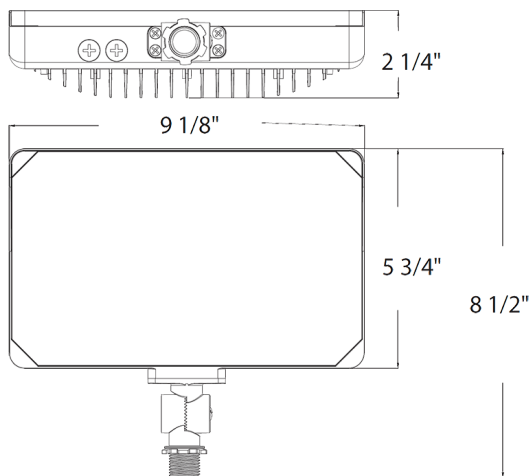
5 Yr Limited Warranty:

The RAB 5-year, limited warranty covers light output, driver performance and paint finish. RAB's warranty is subject to all terms and conditions found at rablighting.com/warranty.

Buy American Act Compliance:

RAB values USA manufacturing! Upon request, RAB may be able to manufacture this product to be compliant with the Buy American Act (BAA). Please contact customer service to request a quote for the product to be made BAA compliant.

Dimensions



Features

- 100,000-Hour LED lifespan
- IP65 Rated
- 5-Year, limited warranty

Ordering Matrix

| Family | Wattages | Mounting | Color Temp | Finish | Driver |
|--------|----------|----------|------------|--------|--------|
| X34 | M | | | W | |

XS = 16/13/10W
S = 35/25/20W
M = 65/55/45W

Blank = Knuckle **Blank** = 3000K/4000K/5000K CCT Adjustable **Blank** = Bronze
W = White

Blank = 120V/277V