



Color: Bronze

Weight: 2.7 lbs

Project:

Type:

Prepared By:

Date:

### Driver Info

Type	Constant Current
120V	0.50A
208V	0.29A
240V	0.25A
277V	0.22A
Input Watts	60W

### LED Info

Watts	60W
Color Temp	2200K-6500K
Color Accuracy	80 CRI
L70 Lifespan	100,000 Hours
Lumens	7,200 lm
Efficacy	120

## Technical Specifications

### Lightcloud

#### Lightcloud Blue:

Lightcloud Blue is a Bluetooth Mesh wireless lighting control system that allows you to control RAB's various compatible devices. With RAB's patented Rapid Provisioning technology, devices can be quickly and easily commissioned for residential and large commercial applications using the Lightcloud Blue mobile app. Each device in a system can communicate with any other device, eliminating the need for a Gateway or Hub and maximizing the control system's reach.

DLC system - Interior: N1XMLOEATBA; Exterior: NHCZ2BIA17L

Learn more at [www.lightcloud.com](http://www.lightcloud.com).

#### Gateway Required:

No

#### Communication Protocol:

Bluetooth Mesh

#### Range:

Indoor: Up to 60 feet between standard building materials. Building materials such as brick, concrete, and steel construction may require additional Lightcloud Blue devices to extend around an obstruction; Up to 200 feet clear line of sight.

Outdoor: Up to 60 feet clear line of sight; Up to 18 feet around corners

#### Spacing Criteria:

Lightcloud Blue devices should be placed within the specified range to communicate within the Bluetooth Mesh network.

### SmartShift

#### SmartShift:

SmartShift is the most advanced - yet easiest to use - circadian lighting system, which syncs white color tuning with the local sunrise and sunset. Requires the NANO/LCB (sold separately)

### Performance

#### Product Type:

Floodlight

#### Description :

Ultra economy without compromise. The X34 is a field-adjustable, general-purpose flood offering output from 1,400 to over 24,000 lumens!

#### Input Wattage:

60W

#### Lumens:

7,200lm

#### Measured Lumens:

3,932lm @ 6500K; 7,429lm @ 2700K; 7,624lm @ 3000K; 8,110lm @ 4000K; 8,131lm @ 5000K

#### Efficacy:

120lm/W

#### L70 Lifespan:

100,000-Hour LED lifespan based on IES LM-70 results

### Electrical

#### THD:

<20%

#### Power Factor:

>0.9

#### Dimmable:

Yes, via the Lightcloud Blue mobile app and devices. This lamp will not operate properly when connected to a standard (incandescent) dimmer or dimming control.

#### Input Voltage:

120-277V

#### Operating Frequency:

60 Hz

#### Input Current @ 120V (mA):

500mA

**Technical Specifications (continued)****Input Current @ 208V (mA):**

290mA

**Input Current @ 240V (mA):**

250mA

**Input Current @ 277V (mA):**

220mA

**Operating Temperature:**

-40°F to 104°F (-40°C to -40°C)

**Flicker:**

&lt;30%

**Surge Protection:**

2kV

**LED Characteristics****Beam Angle:**

105X90°

**Color Temperature:**

Default: 3000K

Adjustable using the Lightcloud Blue mobile app

Tunable White 2200K - 6500K

16+ million RGB colors

**Color Accuracy (CRI):**

80 CRI

**R9 Value:**

High color performance with R9 no greater than 3

**Color Consistency:**

&lt;7-step MacAdam Ellipse binning to achieve consistent fixture-to-fixture color

**Installation****Mounting:**

Slipfitter

**Construction****Shape:**

Square

**Finish:**

Bronze

**Enclosure Material:**

Metal

**Lens:**

Glass

**Compliance****Listings:**

UL Listed, UL Recognized

**Environment:**

Suitable for use indoors and outdoors in dry, damp, or wet environments.

**Fixture Rating:**

Suitable for use in enclosed fixtures.

Suitable for use in open fixtures.

**IP Rating:**

IP65

**DLC Listed:**

This product is on the Design Lights Consortium (DLC) Qualified Products List and is eligible for rebates from DLC Member Utilities. Designed to meet DLC 5.1 requirements.

**California Title 20 Compliant:**

No

**California Title 24 JA8 Compliant:**

No

**California Energy Commission (CEC) Status:**

Lawful for Sales in California

**IESNA LM-79 & LM-80 Testing:**

RAB LED luminaires and LED components have been tested by an independent laboratory in accordance with IESNA LM-79 and LM-80.

**RoHS:**

Mercury and UV free. RoHS-compliant components.

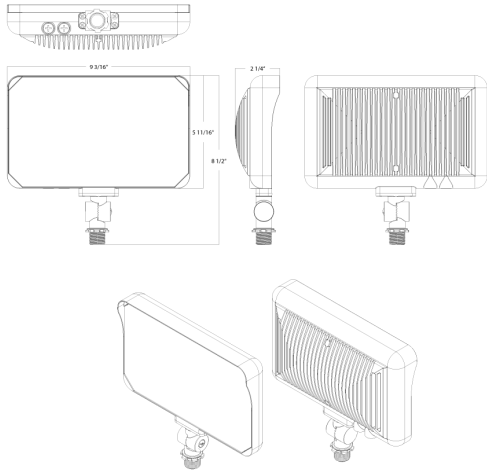
**FCC:**

Complies with Part 15 of the FCC Rules

**Other****5 Yr Limited Warranty:**The RAB 5-year, limited warranty covers light output, driver performance and paint finish. RAB's warranty is subject to all terms and conditions found at [rablighting.com/warranty](http://rablighting.com/warranty).**Buy American Act Compliance:**

RAB values USA manufacturing! Upon request, RAB may be able to manufacture this product to be compliant with the Buy American Act (BAA). Please contact customer service to request a quote for the product to be made BAA compliant.

## Dimensions



## Features

- 100,000-Hour LED lifespan
- IP65 Rated
- 5-Year, limited warranty

## Ordering Matrix

Family	Wattage	Mounting	CRI/Color Temp	Finish	Driver	RGB Color Tuning
X34	M					/RGB
	S = 30W M = 60W	Blank = Knuckle	Blank = 80 CRI, 2200-6500K Tunable White	Blank = Bronze W = White	Blank = 120-277V	/RGB = 16+ million colors