



Small, general purpose lighting that's pocket friendly.

Color: White

Weight: 1.4 lbs

<b>Project:</b>	<b>Type:</b>
<b>Prepared By:</b>	<b>Date:</b>

Driver Info		LED Info	
Type	Constant Current	Watts	25W
120V	N/A	Color Temp	4000K (Neutral)
208V	N/A	Color Accuracy	80 CRI
240V	N/A	L70 Lifespan	50,000 Hours
277V	0.10A	Lumens	3,200 lm
Input Watts	24.6W	Efficacy	130.1 lm/W

## Technical Specifications

### Compliance

#### UL Listed:

Suitable for wet locations. Suitable for ground mounting.

#### IP Rating:

Ingress protection rating of IP65 for dust and water

#### Trade Agreements Act Compliant:

This product is a product of Cambodia and a "designated country" end product that complies with the Trade Agreements Act

#### DLC Listed:

This product is on the Design Lights Consortium (DLC) Qualified Products List and is eligible for rebates from DLC Member Utilities. Designed to meet DLC 5.1 requirements.

DLC Product Code: PTUPU2U0

### Electrical

#### Driver:

Constant Current, 277V, 60 Hz, 277V: 0.10A

#### THD:

14.11% at 277V

#### Power Factor:

99.2% at 277V

### Stepped Dimming:

Integrated/embedded reverse Phase-Cut stepped luminance-level dimming control. Ten discrete dimming steps plus off and full on are accomplished by modification of the voltage, current, and wave form to produce varying light output. Controller is remote located from fixture or junction box, or can be located by the electrical panel.

### Surge Protection:

2kV

### Optical

#### NEMA Type:

NEMA Beam Spread of 7H x 7V

### LED Characteristics

#### LEDs:

Long-life, high-efficacy, surface-mount LEDs

### Color Uniformity:

RAB's range of Correlated Color Temperature follows the guidelines of the American National Standard for Specifications for the Chromaticity of Solid State Lighting (SSL) Products, ANSI C78.377-2017.

### Performance

#### Lifespan:

50,000-Hour LED lifespan based on IES LM-80 results and TM-21 calculations

### Wattage Equivalency:

Equivalent to 100W Metal Halide

### Other

#### Note:

All values are typical (tolerance +/- 10%)

### 5 Yr Limited Warranty:

The RAB 5-year, limited warranty covers light output, driver performance and paint finish. RAB's warranty is subject to all terms and conditions found at [rablighting.com/warranty](http://rablighting.com/warranty).

### Buy American Act Compliance:

RAB values USA manufacturing! Upon request, RAB may be able to manufacture this product to be compliant with the Buy American Act (BAA). Please contact customer service to request a quote for the product to be made BAA compliant.

### Construction

#### Cold Weather Starting:

The minimum starting temperature is -40°C (-40°F)

#### Maximum Ambient Temperature:

Suitable for use in up to 40°C (104°F)

#### Housing:

Die-cast aluminum

## Technical Specifications (continued)

### Mounting:

Robust knuckle mount with 180° adjustable swivel arm. Tilt angle in 10° increments.

### Lens:

Tempered glass

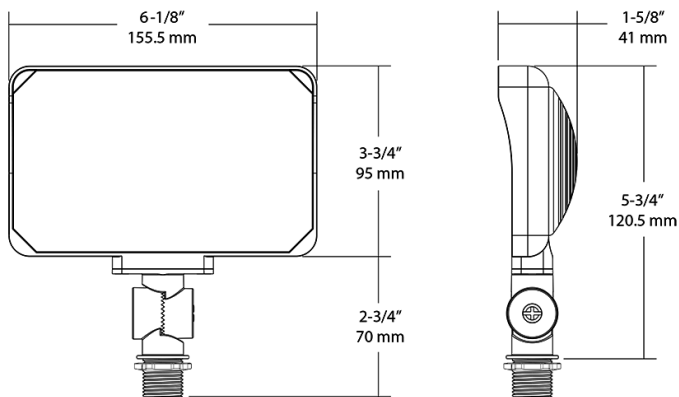
### Finish:

Formulated for high durability and long-lasting color

### Green Technology:

Mercury and UV free. RoHS-compliant components.

## Dimensions



## Features

- General purpose floodlight
- Very wide 7H x 7V NEMA distribution
- Low profile and lightweight
- IP65 rating protects against dust and water

## Ordering Matrix

Family	Lumen Packages (values are nominal)	Mounting	CRI/Color Temp	Finish	Driver/Voltage
X34	25L		-840	W	/277
	16L = 1,735lm, 15W 25L = 2,950lm, 25W 35L = 4,100lm, 35W 55L = 6,300lm, 55W 65L = 7,250lm, 64W	Blank = Knuckle Mount	Blank = 80 CRI, 5000K -840 = 80 CRI, 4000K -830 = 80 CRI, 3000K	Blank = Bronze W = White	/120 = 120V /277 = 277V