



General purpose lighting that's pocket friendly.

Color: Bronze

Weight: 8.0 lbs

| | |
|---------------------|--------------|
| Project: | Type: |
| Prepared By: | Date: |

| Driver Info | | LED Info | |
|-------------|------------------|----------------|-----------------|
| Type | Constant Current | Watts | 87W |
| 120V | 0.74A | Color Temp | 4000K (Neutral) |
| 208V | 0.42A | Color Accuracy | 82 CRI |
| 240V | 0.37A | L70 Lifespan | 50,000 Hours |
| 277V | 0.34A | Lumens | 11,533 lm |
| Input Watts | 89.9W | Efficacy | 128.3 lm/W |

Technical Specifications

Compliance

UL Listed:

Suitable for wet locations. Suitable for ground mounting.

IP Rating:

Ingress protection rating of IP65 for dust and water

Trade Agreements Act Compliant:

This product is a product of Cambodia and a "designated country" end product that complies with the Trade Agreements Act

DLC Listed:

This product is listed by Design Lights Consortium (DLC) as an ultra-efficient premium product that qualifies for the highest tier of rebates from DLC Member Utilities. Designed to meet DLC 5.1 requirements.

DLC Product Code: PG2VIXQA

Electrical

Driver:

Constant Current, 120-277V, 50/60 Hz, 120V: 0.74A, 208V: 0.42A, 240V: 0.37A, 277V: 0.34A

Dimming Driver:

Driver includes wiring for 0-10V dimming systems. Dim as low as 10%.

THD:

3.36% at 120V, 4.56% at 277V

Power Factor:

99.7% at 120V, 96.2% at 277V

Other

Note:

All values are typical (tolerance +/- 10%)

5 Yr Limited Warranty:

The RAB 5-year, limited warranty covers light output, driver performance and paint finish. RAB's warranty is subject to all terms and conditions found at rablighting.com/warranty.

Buy American Act Compliance:

RAB values USA manufacturing! Upon request, RAB may be able to manufacture this product to be compliant with the Buy American Act (BAA). Please contact customer service to request a quote for the product to be made BAA compliant.

Optical

NEMA Type:

NEMA Beam Spread of 7H x 7V

LED Characteristics

LEDs:

Long-life, high-efficacy, surface-mount LEDs

Color Uniformity:

RAB's range of Correlated Color Temperature follows the guidelines of the American National Standard for Specifications for the Chromaticity of Solid State Lighting (SSL) Products, ANSI C78.377-2017.

Construction

EPA:

0.9

Cold Weather Starting:

The minimum starting temperature is -40°C (-40°F)

Maximum Ambient Temperature:

Suitable for use in up to 40°C (104°F)

Housing:

Precision die-cast aluminum

Mounting:

Trunnion with tilt angle in 30° increments

Lens:

Tempered glass

Finish:

Formulated for high durability and long-lasting color

Technical Specifications (continued)

Green Technology:

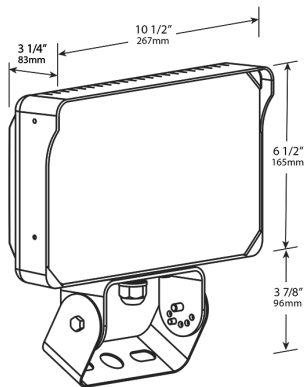
Mercury and UV free. RoHS-compliant components.

Performance

Lifespan:

50,000-Hour LED lifespan based on IES LM-80 results and TM-21 calculations

Dimensions



Features

- Versatile, general-purpose floodlight
- 7H x 7V NEMA distribution
- 0-10V dimming
- IP65 rating protects against dust and water
- 50,000-Hour LED lifespan

Ordering Matrix

| Family | Lumen Packages (values are nominal) | Mounting | CRI/Color Temp | Finish | Driver/Voltage |
|--------|--|---------------------------------|---|-----------------------------|------------------------------|
| X34 | - | 100L | T | -840 | /U |
| | 100L = 11,000lm, 87W 150L = 18,000lm, 130W 195L = 20,000lm, 160W | SF = Slipfitter T = Trunnion | Blank = 80 CRI, 5000K -840 = 80 CRI, 4000K -830 = 80 CRI, 3000K | Blank = Bronze W = White | /U = 120-277V, 0-10V Dimming |