

INSTRUCTIONS

FIELD-ADJUSTABLE X22™ INSTALLATION

RAB®

RAB Lighting is committed to creating high-quality, affordable, well-designed and energy-efficient LED lighting and controls that make it easy for electricians to install and end users to save energy. We'd love to hear your comments. Please call the Marketing Department at 888-RAB-1000 or email: marketing@rablighting.com



X22 250W/320W



X22 420W/500W

IMPORTANT

READ CAREFULLY BEFORE INSTALLING FIXTURE. RETAIN THESE INSTRUCTIONS FOR FUTURE REFERENCE.

RAB fixtures must be wired in accordance with the National Electrical Code and all applicable local codes. Proper grounding is required for safety. THIS PRODUCT MUST BE INSTALLED IN ACCORDANCE WITH THE APPLICABLE INSTALLATION CODE BY A PERSON FAMILIAR WITH THE CONSTRUCTION AND OPERATION OF THE PRODUCT AND THE HAZARDS INVOLVED.

WARNING: Make certain power is OFF before installing or maintaining fixture. No user serviceable parts inside.

Suitable for wet locations. Min 75° supply conductors.

Suitable for operation in ambient temperature not exceeding 50° C.

SLIPFITTER MOUNTING

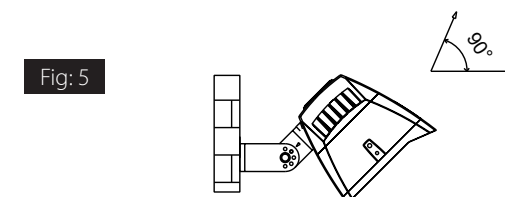
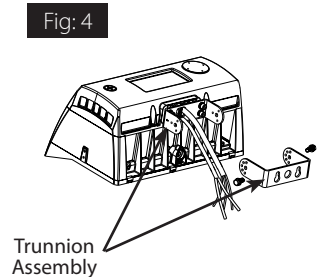
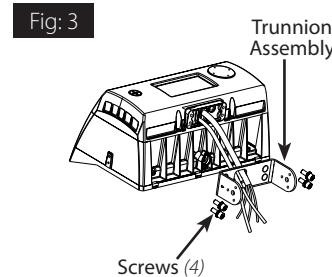
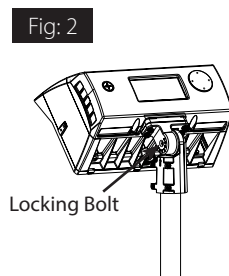
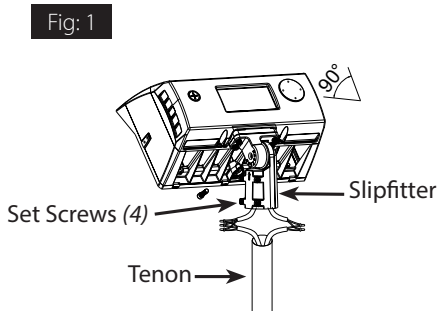
WARNING: RISK OF SERIOUS INJURY OR DEATH!
DO NOT MOUNT THE SLIPFITTER TO A TENON OR BRACKET THAT IS MORE THAN 20 DEGREES FROM VERTICAL. MOUNTING ANY ANGLE OTHER THAN 0-20° DEGREES INCREASES THE RISK OF DISENGAGEMENT AND/OR FAILURE OF THE SLIPFITTER. INSTALL THE POLE ON A SECURE BASE OR INSTALL THE BRACKET TO A WALL FIRST, THEN PLACE LUMINAIRE ONTO THE POLE OR BRACKET. DO NOT LIFT ASSEMBLED LUMINAIRE AND POLE, OR LUMINAIRE AND BRACKET, LUMINAIRE OR POLE/BRACKET MAY DISENGAGE.

1. Make electrical connections as shown in wiring diagram (Fig. 12). Use approved wiring connectors and appropriate wiring method and wire to local NEC codes. Be careful not to pinch the wires.
2. Place the Slipfitter over the Tenon and secure the Fixture with Set Screws (4) on the side of the Slipfitter as shown in Fig 1.
3. Loosen the Locking Bolt and swivel the Fixture to the desired angle. Adjustable angle is 0~+/-90° (Fig. 2).
4. Tighten the Locking Bolt.

TRUNNION MOUNTING

(TRUNNION IS INCLUDED WITH PRODUCT)

1. Remove pre-installed Slipfitter (Fig. 1).
2. Mount Trunnion Assembly to fixture housing and secure with provided Screws (4), see Fig. 3 and 4.
3. Make appropriate wire connections per NEC in an approved enclosure or junction box (by others). Cap off individual dimming wires if unused.
4. The Trunnion allows 90° of vertical aiming adjustment depending on the mounting position as shown in Fig. 5.



INSTRUCTIONS

FIELD-ADJUSTABLE X22™ INSTALLATION



RAB Lighting is committed to creating high-quality, affordable, well-designed and energy-efficient LED lighting and controls that make it easy for electricians to install and end users to save energy. We'd love to hear your comments. Please call the Marketing Department at 888-RAB-1000 or email: marketing@rablighting.com

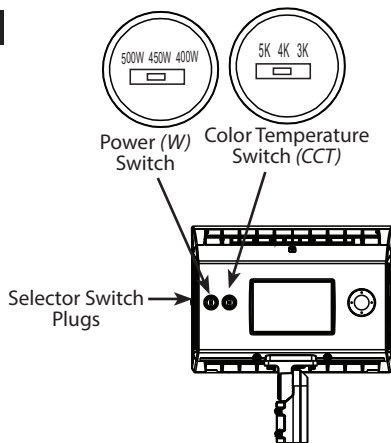
FIELD ADJUSTMENT

Follow instructions below to change **Color Temperature (CCT)** and/or **Power (W)** from factory settings.

Factory Settings: 250W / 4000K
320W / 4000K
420W / 4000K
500W / 4000K

1. Locate the **Selector Switch Plugs** on back of fixture housing as shown in Fig. 6 and remove plugs.
2. Select **Color Temperature (CCT)**, and/or **Power (W)** function by sliding the respective switch to the desired value (Fig. 6).
3. Re-install **Selector Switch Plugs**.

Fig. 6

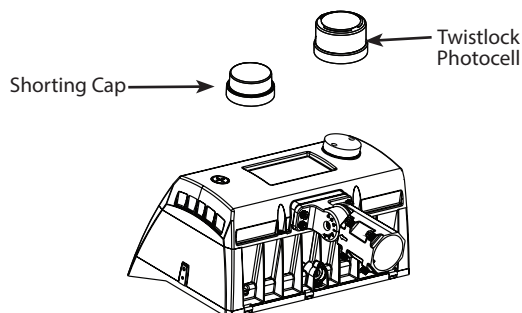


FIXTURES WITH TWISTLOCK PHOTOCELL

(Twistlock Photocell and Shorting Cap are included with product.)

1. If Photocell operation is desired remove **Shorting Cap** and install **Twistlock Photocell** (Fig. 7).

Fig. 7



BEAM ANGLE ADJUSTMENT

(7HX6V LENS, factory installed)

Follow instructions below to change **Beam Angle**. Selectable options are 55°/75°/90° (Fig. 9).

Factory Settings: 90°

1. Locate **Beam Angle Selector** on the bottom of **Housing** as shown in Fig. 8.
2. Use a screwdriver to select desired **Beam Angle** (FIG. 8).

Fig. 8

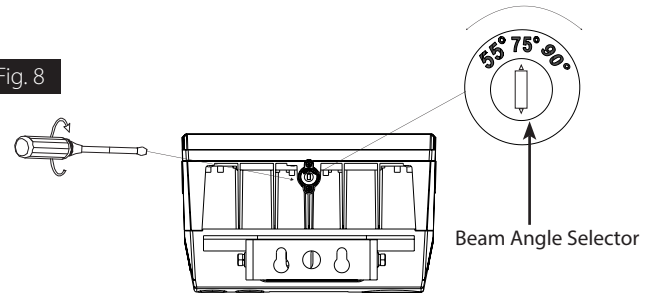


Fig. 9

Catalog #	BEAM ANGLE
X22 (7HX6V Pre-installed Lens)	55° / 75° / 90°
X22 (4HX4V Lens Accessory)	20° / 25° / 30°

4HX4V LENS ACCESSORY

(X22 250/320LENS4H4V, X22-420-500LENS4H4V ordered separately)

Follow instructions below for installing 4HX4V Lens. (4HX4V optional Beam Angles are 20° / 25° / 30°, see Fig. 9)

1. Use a screwdriver to adjust **Beam Angle Selector** setting to the mid-position, 75° (Fig. 8). **Beam angle MUST be set to 75° for changing the Lens.**
2. Open fixture door by removing (2) **Screws** as shown in Fig. 10, remove door and glass.
3. Remove existing lens by pressing (2) **Spring Clips** at lower edge of the lens (Fig. 11).
4. Install **4HX4V Lens** into housing. Press and push the Lens forward into the upper edge, the lens is installed in place once the **Spring Clips** catch. Replace glass lens and door, secure with (2) **Screws** as shown in Fig. 11. Use care that the gasket is properly seated.

INSTRUCTIONS

FIELD-ADJUSTABLE X22™ INSTALLATION

RAB®

RAB Lighting is committed to creating high-quality, affordable, well-designed and energy-efficient LED lighting and controls that make it easy for electricians to install and end users to save energy. We'd love to hear your comments. Please call the Marketing Department at 888-RAB-1000 or email: marketing@rablighting.com

Fig. 10

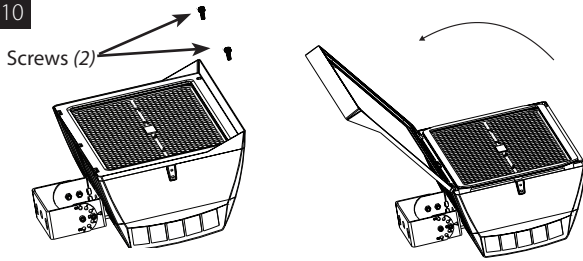
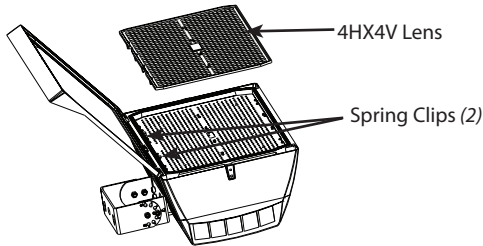


Fig. 11



CLEANING & MAINTENANCE

CAUTION: Be sure fixture temperature is cool enough to touch. Do not clean or maintain while fixture is energized.

1. Do not open fixture to clean the LED. Do not touch the LED.
2. Clean lens with non-abrasive glass cleaning solution.

TROUBLESHOOTING

1. Check that the line voltage at the fixture is correct. Refer to wiring directions.
2. Is the fixture grounded properly?

Note: These instructions do not cover all details or variations in equipment nor do they provide for every possible situation during installation, operation or maintenance.

0-10V DIMMABLE WIRING

Universal voltage driver permits operation at 120V through 277V, 50 or 60 Hz. Units ordered with /480 suffix are 480V, 60Hz **ONLY**. For 0-10V dimming follow the wiring directions as shown in Fig. 12.

1. Connect the black fixture lead to the **LINE** supply lead.
2. Connect the white fixture lead to the **COMMON** supply lead.
3. Connect the **GROUND** wire from fixture to supply ground.
4. Connect the purple fixture lead to the **(V+) DIM** lead.
5. Connect the pink fixture lead to the **(V-) DIM** lead.

NOTE: Do not connect DIM V+ (purple)/ DIM V- (pink) to line voltage or supply ground.

Fig. 12

