



Color: Bronze

Weight: 20.6 lbs

<b>Project:</b>	<b>Type:</b>
<b>Prepared By:</b>	<b>Date:</b>

Driver Info		LED Info	
Type	Constant Current	Watts	330W
120V	2.79A	Color Temp	3000K/4000K/5000K
208V	1.80A	Color Accuracy	71-74 CRI
240V	1.60A	L70 Lifespan	100,000 Hours
277V	1.21A	Lumens	23907-49228 lm
Input Watts	175-334.4W	Efficacy	136.6-153 lm/W

## Technical Specifications

### Field Adjustability

#### 3-Way Field Adjustable:

Field Adjustable Light Output:  
175W/250W/330W (factory default 205W)  
Color temperature (selectable by 3000K, 4000K and 5000K)

### Compliance

#### UL Listed:

Suitable for wet locations

#### IP Rating:

Ingress protection rating of IP65 for dust and water

#### DLC Listed:

This product is listed by Design Lights Consortium (DLC) as an ultra-efficient premium product that qualifies for the highest tier of rebates from DLC Member Utilities. Designed to meet DLC 5.1 requirements.  
DLC Product Code: P9D60G7J

### Electrical

#### Driver:

Constant Current, Class 2, 120-277V, 50/60Hz, 120V: 2.79A, 208V: 1.80A, 240V: 1.60A, 277V: 1.21A

#### Dimming Driver:

Driver includes wiring for 0-10V dimming systems. Dim as low as 10%.

#### THD:

15.36% at 120V, 15.36% at 277V

#### Power Factor:

99.8% at 120V, 96.9% at 277V

#### Photocell:

120-277V Twistlock photocell included. Photocell is compatible with 120-277V.

#### Surge Protection:

CM: 10kV  
DM: 6kV

### LED Characteristics

#### LEDs:

Long-life, high-efficacy, surface-mount LEDs

#### Color Uniformity:

RAB's range of Correlated Color Temperature follows the guidelines of the American National Standard for Specifications for the Chromaticity of Solid State Lighting (SSL) Products, ANSI C78.377-2017.

### Construction

#### Cold Weather Starting:

The minimum starting temperature is -40°C (-40°F)

#### Ambient Temperature :

Max Power Temp Rating: 40°C (104°F)  
Middle Power Temp Rating: 47°C (116°F)  
Low Power Temp Rating: 53°C (128°F)

#### Housing:

Precision die-cast aluminum

#### Mounting:

Trunnion mount with stainless steel hardware

#### Lens:

Tempered glass

#### Reflector:

Polycarbonate

#### Tilt Increment:

Rotates in 30 degree increments

#### Effective Projected Area:

EPA = 1.7

#### Finish:

Formulated for high durability and long-lasting color

#### Green Technology:

Mercury and UV free. RoHS-compliant components.

## Technical Specifications (continued)

### Optical

#### NEMA Type:

NEMA Beam Spread 7H x 6V

### Other

#### Shorting Cap:

Shorting Cap for Twistlock Receptacle

#### 5 Yr Limited Warranty:

The RAB 5-year, limited warranty covers light output, driver performance and paint finish. RAB's warranty is subject to all terms and conditions found at [rablighting.com/warranty](http://rablighting.com/warranty).

#### Note:

All values are typical (tolerance +/- 10%)

#### Buy American Act Compliance:

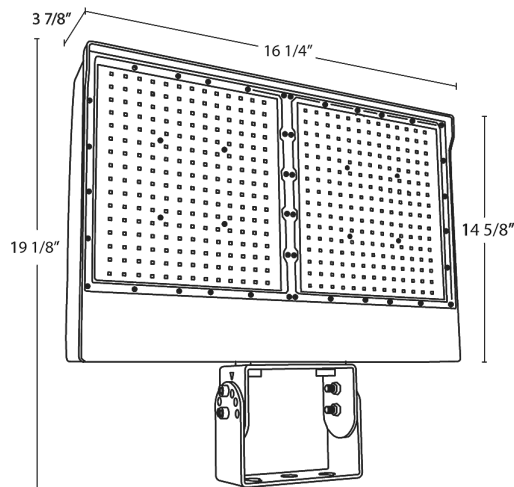
RAB values USA manufacturing! Upon request, RAB may be able to manufacture this product to be compliant with the Buy American Act (BAA). Please contact customer service to request a quote for the product to be made BAA compliant.

### Performance

#### Wattage Equivalency:

Equivalent to 1,000W Metal Halide

## Dimensions



## Features

- 3-Way field adjustability
- 0-10V Dimming, standard
- 100,000-hour LED lifespan
- Selectable photocell (on/off) included
- 5-Year, limited warranty

## Ordering Matrix

Family	Wattage	Field Adjustability	Color Temp	Mounting	Finish	Voltage	Options
X17	XFU	330		T			/PCT
	<b>35</b> = 35/25/15W <b>60</b> = 60/50/30W <b>80</b> = 80/60/40W <b>15</b> = 15W <b>35</b> = 35W <b>60</b> = 60W <b>80</b> = 80W <b>105</b> = 105W <b>140</b> = 140W <b>105</b> = 105/75/50W <b>140</b> = 140/100/70W <b>205</b> = 205/150/100W <b>330</b> = 330/250/170W	<b>XFU</b> = 3-Way Field Adjustable	<b>Blank</b> = 3000K/4000K/5000K Selectable	<b>Blank</b> = Knuckle <b>SF</b> = Slipfitter <b>T</b> = Trunnion	<b>Blank</b> = Bronze <b>W</b> = White	<b>Blank</b> = 120-277V <b>/480</b> = 480V	<b>Blank</b> = Selectable photocell