

# INSTRUCTIONS

## X17™ XFU FIELD-ADJUSTABLE INSTALLATION



RAB Lighting is committed to creating high-quality, affordable, well-designed and energy-efficient LED lighting and controls that make it easy for electricians to install and end users to save energy. We'd love to hear your comments. Please call the Marketing Department at 888-RAB-1000 or email: [marketing@rablighting.com](mailto:marketing@rablighting.com)



X17 XFU Slipfitter  
205/150/100W & 330/250/175W



X17 XFU Trunnion  
205/150/100W & 330/250/175W

### IMPORTANT

#### READ CAREFULLY BEFORE INSTALLING FIXTURE. RETAIN THESE INSTRUCTIONS FOR FUTURE REFERENCE.

RAB fixtures must be wired in accordance with the National Electrical Code and all applicable local codes. Proper grounding is required for safety. THIS PRODUCT MUST BE INSTALLED IN ACCORDANCE WITH THE APPLICABLE INSTALLATION CODE BY A PERSON FAMILIAR WITH THE CONSTRUCTION AND OPERATION OF THE PRODUCT AND THE HAZARDS INVOLVED.

**WARNING: Make certain power is OFF before installing or maintaining fixture. No user serviceable parts inside.**

**WARNING: Do not use an electric generator to test LED fixtures.**

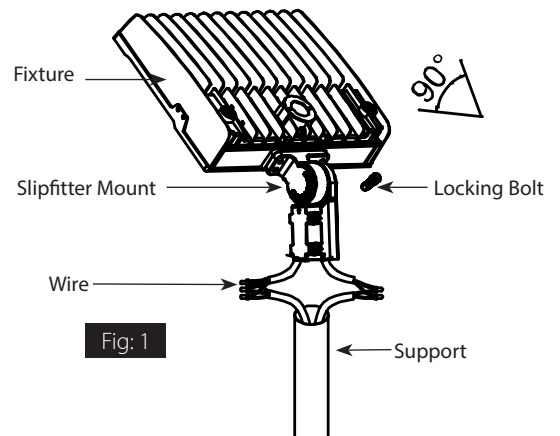
**WARNING: Min 75°C SUPPLY CONDUCTORS.**

**ATTENTION: If the Photocell function is not required, the Shorting Cap (provided) must be installed in place of the Photocell.**

### SLIPFITTER MOUNT

*(suitable for 205W, 330W)*

1. Place the Slipfitter over the Tenon and secure the Fixture with the Screws on the side of the Slipfitter as shown in Fig. 1.
2. Make appropriate wire connections per NEC in an approved enclosure (not included) see Fig. 6.
3. Loosen the Locking Bolt and swivel Fixture to desired angle.
4. Tighten the Locking Bolt.



### TRUNNION MOUNT

*(suitable for 205W, 330W)*

To adjust the angle of the Fixture using the Trunnion (Fig. 2):

1. Loosen the Pivot Bolts and Angle Locking Screws.
2. Make appropriate wire connections per NEC in an approved enclosure (not included) see Fig. 6.
3. Adjust fixture to desired angle.
4. Tighten Pivot Bolts and Angle Locking Screw.

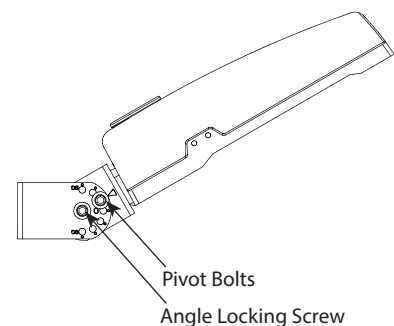


Fig: 2

# INSTRUCTIONS

## X17™ XFU FIELD-ADJUSTABLE INSTALLATION



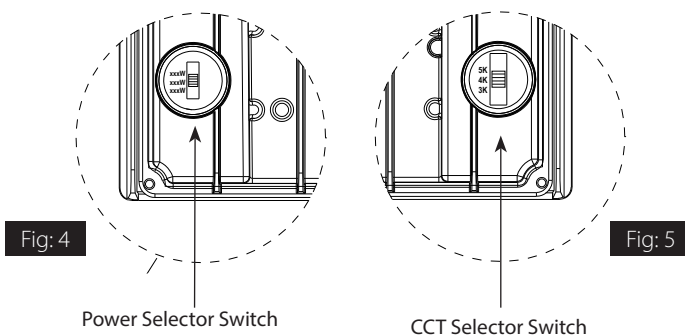
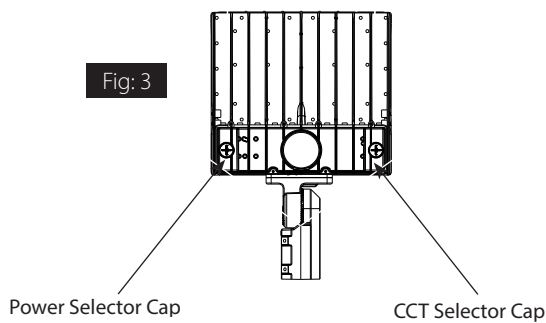
RAB Lighting is committed to creating high-quality, affordable, well-designed and energy-efficient LED lighting and controls that make it easy for electricians to install and end users to save energy. We'd love to hear your comments. Please call the Marketing Department at 888-RAB-1000 or email: [marketing@rablighting.com](mailto:marketing@rablighting.com)

### FIELD ADJUSTMENT

Follow instructions below to change Power (**W**) and Fixture Color Temperature (**CCT**) from factory settings.

**Factory Settings:** X17XFU205 - 4000K (CCT), 205W  
X17XFU330 - 4000K (CCT), 330W

1. Remove **Selector Switch Caps** by turning counterclockwise using a flat head screwdriver (**Fig. 3**).
2. Locate the **Selector Switches** on the fixture (**Fig. 4, 5**).
3. Select Power (**W**) and Color Temperature (**CCT**) by sliding the respective switch to the desired value.
4. Replace **Selector Switch Caps** and tighten using a flat head screwdriver.



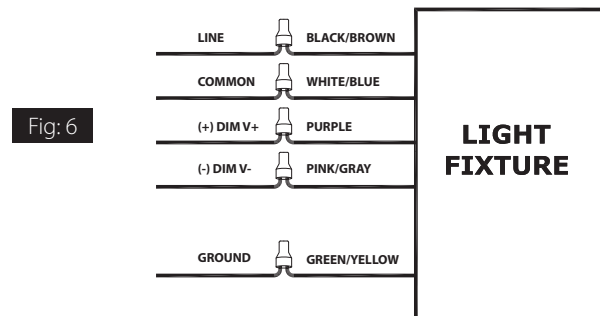
**Note:** These instructions do not cover all details or variations in equipment nor do they provide for every possible situation during installation, operation or maintenance.

### DIMMABLE WIRING

Universal voltage driver permits operation at 120V thru 277V, 50 or 60 Hz, 1-10V Dimming. Units ordered with /480 suffix are 480V, 50 or 60 Hz, 0-10V Dimming.

Follow the wiring directions as shown in **Fig. 6**.

1. Connect the black/brown fixture lead to the LINE supply lead.
2. Connect the white/blue fixture lead to the COMMON supply lead.
3. Connect the green/yellow wire from fixture to supply ground. Do NOT connect the GROUND of the dimming fixture to the output.
4. Connect the purple fixture lead to the DIM V+ lead.
5. Connect the pink/gray fixture lead to the DIM V- lead.
6. Cap the yellow fixture lead, if present. Do NOT connect.



### CLEANING & MAINTENANCE

**CAUTION:** Be sure fixture temperature is cool enough to touch. Do not clean or maintain while fixture is energized.

1. Clean polycarbonate lens with non-abrasive glass cleaning solution.
2. Do not open the fixture to clean the LED. Do not touch the LED.

### TROUBLESHOOTING

1. Is the fixture grounded properly?
2. It is recommended to wear gloves to avoid injury during installation.
3. If any smoke or spark, please turn off the power immediately.



#### Easy Answers

© 2021 RAB LIGHTING Inc.  
X17 XFU 205W & 330W IN-1021  
P-100055-RAB

[rablighting.com](http://rablighting.com)  
Visit our website for product info

Tech Help Line  
Call our experts: 888 722-1000

e-mail  
Answered promptly - [sales@rablighting.com](mailto:sales@rablighting.com)

Free Lighting Layouts  
Answered online or by request