



Color: Bronze

Weight: 28.1 lbs

Project:

Type:

Prepared By:

Date:

Driver Info

Type	Constant Current
120V	3.67A
208V	2.40A
240V	2.10A
277V	1.64A
Input Watts	250/350/439W

LED Info

Watts	450W
Color Temp	5000K (Cool)
Color Accuracy	72 CRI
L70 Lifespan	100,000 Hours
Lumens	37420/52388/65733 lm
Efficacy	149.7

Technical Specifications

Field Adjustability

Power Adjustable:

Field adjustable light output in 3 discrete steps: 250W/350W/450W (factory default 450W)

Compliance

UL Listed:

Suitable for wet locations

IP Rating:

Ingress protection rating of IP65 for dust and water

DLC Listed:

This product is listed by Design Lights Consortium (DLC) as an ultra-efficient premium product that qualifies for the highest tier of rebates from DLC Member Utilities. Designed to meet DLC 5.1 requirements.

DLC Product Code: PQMSQ576

Electrical

Driver:

Constant Current, Class 2, 120-277V, 50/60Hz, 450W: 120V: 3.67A, 208V: 2.40A, 240V: 2.10A, 277V: 1.64A
350W: 120V: 3.25A, 208V: 1.85A, 240V: 1.65A, 277V: 1.4A
250W: 120V: 2.30A, 208V: 1.35A, 240V: 1.20A, 277V: 1.00A

Dimming Driver:

Driver includes wiring for 0-10V dimming systems. Dim as low as 10%.

THD:

6.74% at 120V, 9.29% at 277V

Power Factor:

99.6% at 120V, 92.9% at 277V

Photocell:

120-277V Twistlock photocell included. Photocell is compatible with 120-277V.

Surge Protection:

CM: 10kV
DM: 6kV

LED Characteristics

LEDs:

Long-life, high-efficacy, surface-mount LEDs

Color Uniformity:

RAB's range of Correlated Color Temperature follows the guidelines of the American National Standard for Specifications for the Chromaticity of Solid State Lighting (SSL) Products, ANSI C78.377-2017.

Construction

Cold Weather Starting:

The minimum starting temperature is -40°C (-40°F)

Maximum Ambient Temperature:

Suitable for use in up to 40°C (104°F)

Housing:

Precision die-cast aluminum

Mounting:

Trunnion mount with stainless steel hardware

Lens:

Tempered glass

Reflector:

Polycarbonate

Tilt Increment:

Rotates in 30 degree increments

Effective Projected Area:

EPA = 2.4

Finish:

Formulated for high durability and long-lasting color

Technical Specifications (continued)

Green Technology:

Mercury and UV free. RoHS-compliant components.

Optical

NEMA Type:

NEMA Beam Spread 7H x 6V

Other

Shorting Cap:

Shorting Cap for Twistlock Receptacle

5 Yr Limited Warranty:

The RAB 5-year, limited warranty covers light output, driver performance and paint finish. RAB's warranty is subject to all terms and conditions found at rablighting.com/warranty.

Note:

All values are typical (tolerance +/- 10%)

Buy American Act Compliance:

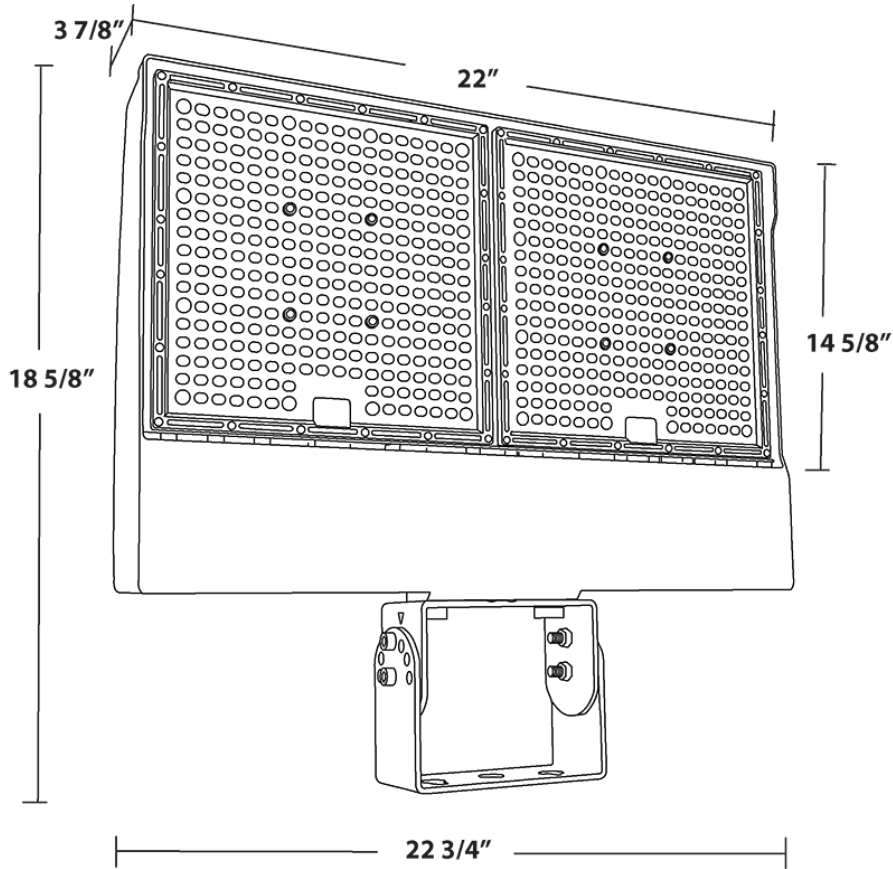
RAB values USA manufacturing! Upon request, RAB may be able to manufacture this product to be compliant with the Buy American Act (BAA). Please contact customer service to request a quote for the product to be made BAA compliant.

Performance

Wattage Equivalency:

Equivalent to 1,500W Metal Halide

Dimensions



Ordering Matrix

Family	Field Adjustability	Wattage	Color Temp	Mounting	Finish	Voltage	Options
X17	PA	450		T			/PCT
PA = Power Field Adjustable, High Output		450 = 450/350/250W	= 5000K Cool N = 4000K Neutral	SF = Slipfitter T = Trunnion	Blank = Bronze	Blank = 120-277V /480 = 480V	/PCT = Twistlock photocell