

# INSTRUCTIONS

## X17™ PA POWER ADJUSTABLE INSTALLATION



RAB Lighting is committed to creating high-quality, affordable, well-designed and energy-efficient LED lighting and controls that make it easy for electricians to install and end users to save energy. We'd love to hear your comments. Please call the Marketing Department at 888-RAB-1000 or email: marketing@rablighting.com



X17 PA 450/350/250W Slipfitter



X17 PA 450/350/250W Trunnion

### IMPORTANT

#### READ CAREFULLY BEFORE INSTALLING FIXTURE. RETAIN THESE INSTRUCTIONS FOR FUTURE REFERENCE.

RAB fixtures must be wired in accordance with the National Electrical Code and all applicable local codes. Proper grounding is required for safety. THIS PRODUCT MUST BE INSTALLED IN ACCORDANCE WITH THE APPLICABLE INSTALLATION CODE BY A PERSON FAMILIAR WITH THE CONSTRUCTION AND OPERATION OF THE PRODUCT AND THE HAZARDS INVOLVED.

**WARNING: Make certain power is OFF before installing or maintaining fixture. No user serviceable parts inside.**

**WARNING: Do not use an electric generator to test LED fixtures.**

**WARNING: Min 75°C SUPPLY CONDUCTORS.**

**ATTENTION: If the Photocell function is not required, the Shorting Cap (provided) must be installed in place of the Photocell.**

### SLIPFITTER MOUNT

1. Place the **Slipfitter** over the **Tenon** and secure the **Fixture** with the **Screws** on the side of the **Slipfitter** as shown in **Fig. 1**.
2. Make appropriate wire connections per NEC in an approved enclosure (*not included*) see **Fig. 5**.
3. Loosen the **Locking Bolt** and swivel **Fixture** to desired angle.
4. Tighten the **Locking Bolt**.

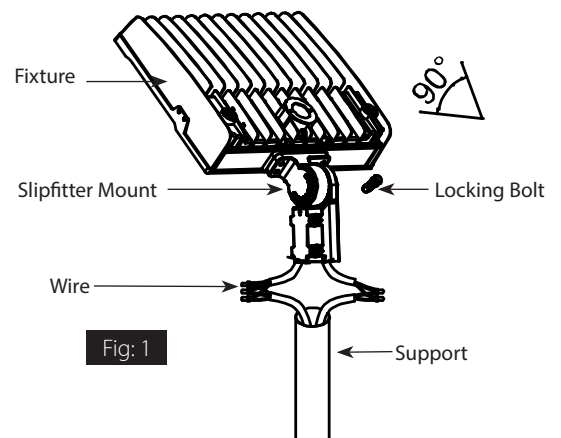


Fig: 1

### TRUNNION MOUNT

To adjust the angle of the **Fixture** using the **Trunnion** (**Fig. 2**):

1. Loosen the **Pivot Bolts** and **Angle Locking Screws**.
2. Make appropriate wire connections per NEC in an approved enclosure (*not included*) see **Fig. 5**.
3. Adjust fixture to desired angle.
4. Tighten **Pivot Bolts** and **Angle Locking Screw**.

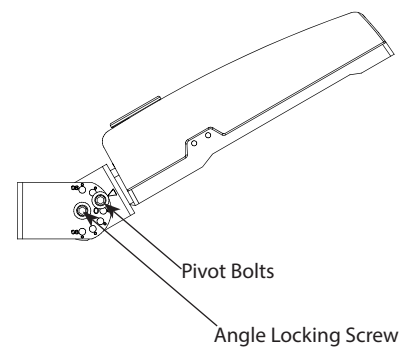


Fig: 2

# INSTRUCTIONS

## X17™ PA POWER ADJUSTABLE INSTALLATION



RAB Lighting is committed to creating high-quality, affordable, well-designed and energy-efficient LED lighting and controls that make it easy for electricians to install and end users to save energy. We'd love to hear your comments. Please call the Marketing Department at 888-RAB-1000 or email: [marketing@rablighting.com](mailto:marketing@rablighting.com)

### FIELD ADJUSTMENT

Follow instructions below to change Fixture Power (*W*) from factory settings.

**Factory Settings:** 450W

1. Remove **Power (*W*) Selector Switch Cap (Fig. 3)** by turning counterclockwise using a flat head screwdriver.
2. Select **Power (*W*)** by sliding **Power (*W*) Selector Switch** to the desired value.
3. Replace **Selector Switch Cap** and tighten using a flat head screwdriver.

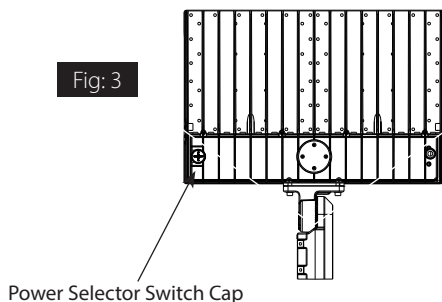
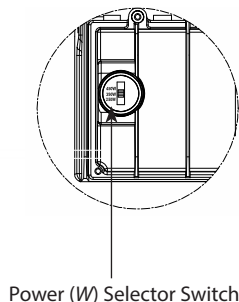


Fig: 4

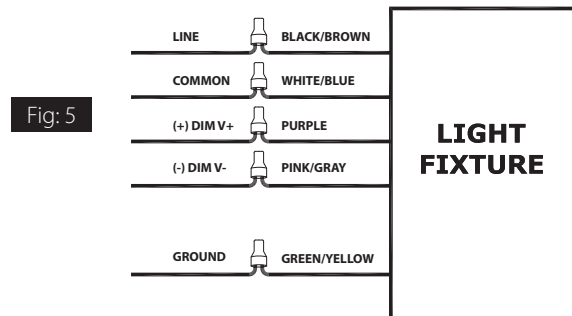


### DIMMABLE WIRING

Universal voltage driver permits operation at 120V thru 277V, 50 or 60 Hz, 1-10V Dimming. Units ordered with /480 suffix are 480V, 50 or 60 Hz, 0-10V Dimming.

Follow the wiring directions as shown in Fig. 5.

1. Connect the black/brown fixture lead to the LINE supply lead.
2. Connect the white/blue fixture lead to the COMMON supply lead.
3. Connect the green/yellow wire from fixture to supply ground. Do NOT connect the GROUND of the dimming fixture to the output.
4. Connect the purple fixture lead to the DIM V+ lead.
5. Connect the pink/gray fixture lead to the DIM V- lead.
6. Cap the yellow fixture lead, if present. Do NOT connect.



### CLEANING & MAINTENANCE

**CAUTION:** Be sure fixture temperature is cool enough to touch. Do not clean or maintain while fixture is energized.

1. Clean polycarbonate lens with non-abrasive glass cleaning solution.
2. Do not open the fixture to clean the LED. Do not touch the LED.

### TROUBLESHOOTING

1. Is the fixture grounded properly?
2. It is recommended to wear gloves to avoid injury during installation.
3. If any smoke or spark, please turn off the power immediately.

*Note:* These instructions do not cover all details or variations in equipment nor do they provide for every possible situation during installation, operation or maintenance.



#### Easy Answers

[rablighting.com](http://rablighting.com)  
Visit our website for product info

**Tech Help Line**  
Call our experts: 888 722-1000

**e-mail**  
Answered promptly - [sales@rablighting.com](mailto:sales@rablighting.com)

**Free Lighting Layouts**  
Answered online or by request