



Color: Bronze

Weight: 28.1 lbs

Project:

Type:

Prepared By:

Date:

Driver Info

| | |
|-------------|------------------|
| Type | Constant Current |
| 120V | N/A |
| 208V | N/A |
| 240V | N/A |
| 277V | N/A |
| Input Watts | 250/350/434W |

LED Info

| | |
|----------------|----------------------|
| Watts | 450W |
| Color Temp | 5000K (Cool) |
| Color Accuracy | 72 CRI |
| L70 Lifespan | 100,000 Hours |
| Lumens | 36633/51286/63558 lm |
| Efficacy | 146.5 |

Technical Specifications

Field Adjustability

Power Adjustable:

Field adjustable light output in 3 discrete steps: 250W/350W/450W (factory default 450W)

Compliance

UL Listed:

Suitable for wet locations

IP Rating:

Ingress protection rating of IP65 for dust and water

DLC Listed:

This product is listed by Design Lights Consortium (DLC) as an ultra-efficient premium product that qualifies for the highest tier of rebates from DLC Member Utilities. Designed to meet DLC 5.1 requirements.

DLC Product Code: PLH0261Y

Electrical

Driver:

Constant Current, Class 2, 480V, 50/60Hz,
450W: 480V: 0.96A
350W: 480V: 0.80A
250W: 480V: 0.60A

Dimming Driver:

Driver includes wiring for 0-10V dimming systems. Dim as low as 10%.

THD:

11.03% at 480V

Power Factor:

99.2% at 480V

Photocell:

480V Twistlock photocell included. Photocell is only compatible with 480V.

Surge Protection:

CM: 10kV
DM: 6kV

LED Characteristics

LEDs:

Long-life, high-efficiency, surface-mount LEDs

Color Uniformity:

RAB's range of Correlated Color Temperature follows the guidelines of the American National Standard for Specifications for the Chromaticity of Solid State Lighting (SSL) Products, ANSI C78.377-2017.

Construction

Cold Weather Starting:

The minimum starting temperature is -40°C (-40°F)

Maximum Ambient Temperature:

Suitable for use in up to 40°C (104°F)

Housing:

Precision die-cast aluminum

Mounting:

Slipfitter with 180° pivot available for mounting on 2 3/8" tenon

Lens:

Tempered glass

Reflector:

Polycarbonate

Tilt Increment:

Rotates in 6 degree increments

Effective Projected Area:

EPA = 2.4

Finish:

Formulated for high durability and long-lasting color

Green Technology:

Mercury and UV free. RoHS-compliant components.

Optical

NEMA Type:

NEMA Beam Spread 7H x 6V

Technical Specifications (continued)

Other

Shorting Cap:

Shorting Cap for Twistlock Receptacle

5 Yr Limited Warranty:

The RAB 5-year, limited warranty covers light output, driver performance and paint finish. RAB's warranty is subject to all terms and conditions found at rablighting.com/warranty.

Note:

All values are typical (tolerance +/- 10%)

Buy American Act Compliance:

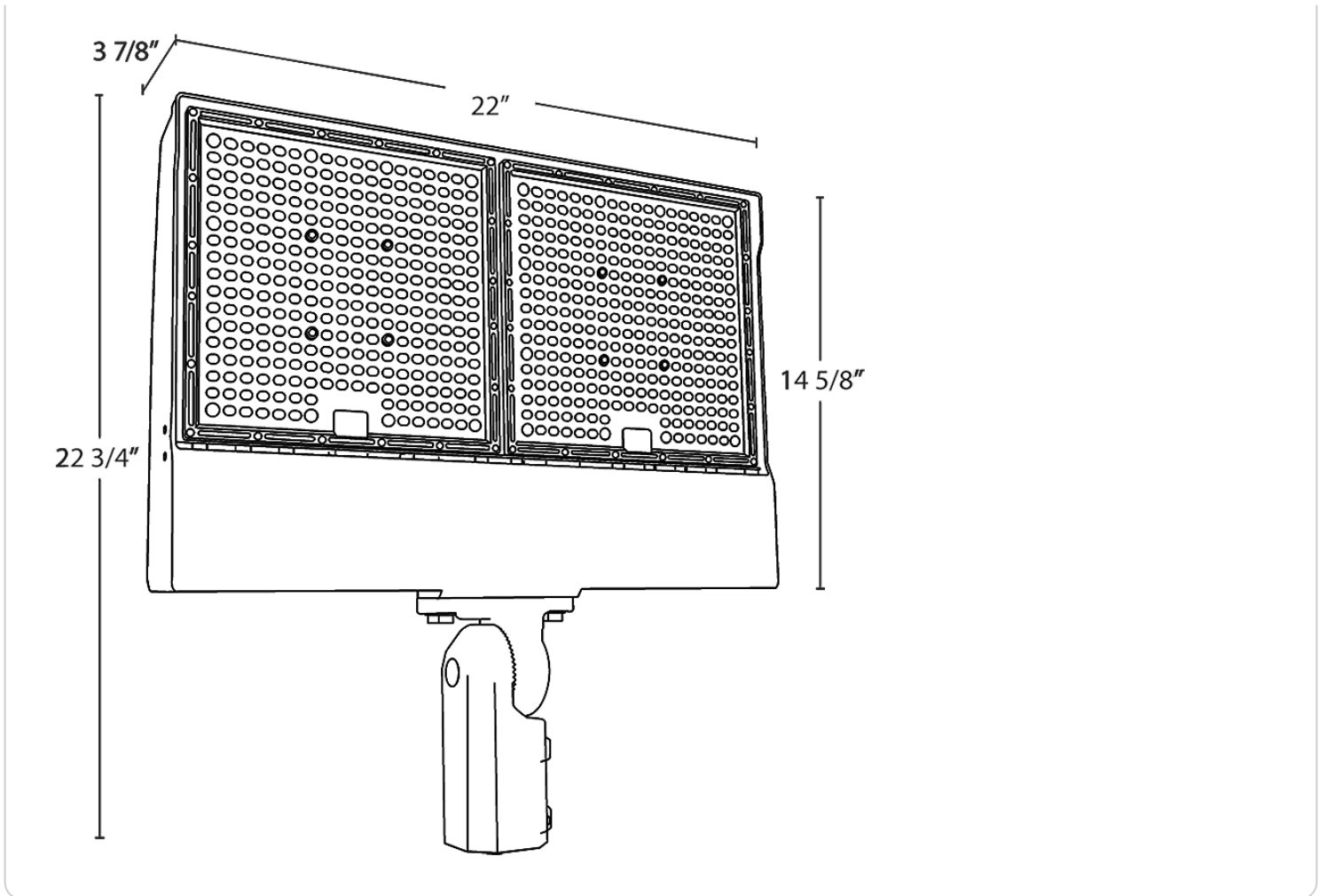
RAB values USA manufacturing! Upon request, RAB may be able to manufacture this product to be compliant with the Buy American Act (BAA). Please contact customer service to request a quote for the product to be made BAA compliant.

Performance

Wattage Equivalency:

Equivalent to 1,500W Metal Halide

Dimensions



Ordering Matrix

| Family | Field Adjustability | Wattage | Color Temp | Mounting | Finish | Voltage | Options |
|--------|--|--------------------|-----------------------------------|---------------------------------|----------------|---------------------------------|----------------------------|
| X17 | PA | 450 | | SF | | /480 | /PCT |
| | PA = Power Field Adjustable, High Output | 450 = 450/350/250W | = 5000K Cool N = 4000K Neutral | SF = Slipfitter T = Trunnion | Blank = Bronze | Blank = 120-277V /480 = 480V | /PCT = Twistlock photocell |