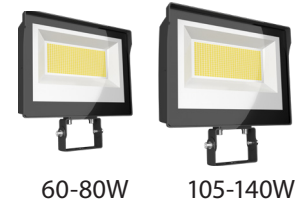


INSTRUCTIONS

X17™ FA FIELD ADJUSTABLE INSTALLATION



RAB Lighting is committed to creating high-quality, affordable, well-designed and energy-efficient LED lighting and controls that make it easy for electricians to install and end users to save energy. We'd love to hear your comments. Please call the Marketing Department at 888-RAB-1000 or email: marketing@rablighting.com



IMPORTANT

READ CAREFULLY BEFORE INSTALLING FIXTURE. RETAIN THESE INSTRUCTIONS FOR FUTURE REFERENCE.

RAB fixtures must be wired in accordance with the National Electrical Code and all applicable local codes. Proper grounding is required for safety. THIS PRODUCT MUST BE INSTALLED IN ACCORDANCE WITH THE APPLICABLE INSTALLATION CODE BY A PERSON FAMILIAR WITH THE CONSTRUCTION AND OPERATION OF THE PRODUCT AND THE HAZARDS INVOLVED.

WARNING: Make certain power is OFF before installing or maintaining fixture. No user serviceable parts inside.

WARNING: Do not use an electric generator to test LED fixtures.

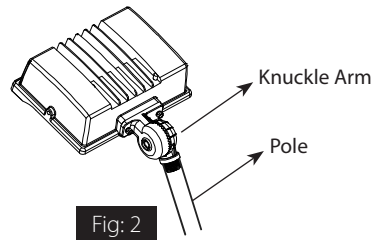
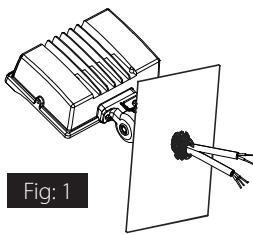
WARNING: Min 75°C SUPPLY CONDUCTORS.

KNUCKLE MOUNT

(suitable for 15W, 35W, 60W, 80W)

To ensure weatherproof seal, apply weatherproof silicone sealant around the edge of the junction box (*not supplied*). This is especially important with an uneven wall surface.

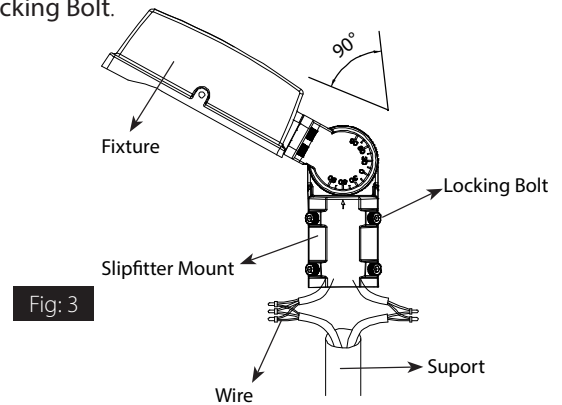
1. Secure the fixture to a 1/2" NPS hole in the junction box or landscape post as shown in Fig. 1. Seal arm thread using Teflon® tape or silicone sealant.
2. Make appropriate wire connections per NEC in an approved enclosure (*not included*) see Fig. 8.
3. The **Knuckle Arm** allows 180° of vertical aiming adjustment depending on the mounting position as shown in Fig. 2.



SLIPFITTER MOUNT

(suitable for 60W, 80W, 105W, 140W)

1. Place the **Slipfitter** over the **Tenon** and secure the **Fixture** with the **Screws** on the side of the **Slipfitter** as shown in Fig. 3.
2. Make appropriate wire connections per NEC in an approved enclosure (*not included*) see Fig. 8.
3. Loosen the **Locking Bolt** and swivel **Fixture** to desired angle.
4. Tighten the **Locking Bolt**.

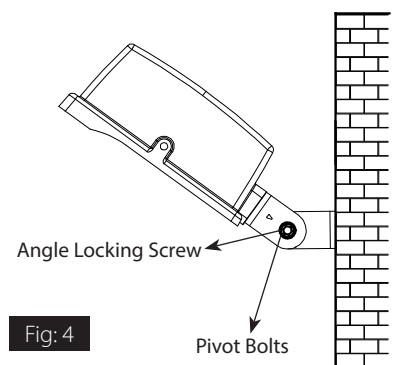


TRUNNION MOUNT

(suitable for 60W, 80W, 105W, 140W)

To adjust the angle of the **Fixture** using the **Trunnion** (Fig. 4):

1. Loosen the **Pivot Bolts** and **Angle Locking Screws**.
2. Make appropriate wire connections per NEC in a approved enclosure (*not included*) see Fig. 8.
3. Adjust fixture to desired angle.
4. Tighten **Pivot Bolts** and **Angle Locking Screw**.



INSTRUCTIONS

X17™ FA FIELD ADJUSTABLE INSTALLATION



RAB Lighting is committed to creating high-quality, affordable, well-designed and energy-efficient LED lighting and controls that make it easy for electricians to install and end users to save energy. We'd love to hear your comments. Please call the Marketing Department at 888-RAB-1000 or email: marketing@rablighting.com

FIELD ADJUSTMENT

Follow instructions below to change fixture Color Temperature (CCT) from the factory settings and **Photocell** On/Off option.

Factory Settings: 4000K (CCT)

1. Remove **Selector Switch Caps** by turning counter clockwise using a flat head screwdriver **Fig. 5**.
2. Locate the **Selector Switches** on the fixture **Fig. 6,7**.
3. Select Color Temperature (CCT) by sliding the respective switch to the desired value.
4. Select **Photocell** On/Off option by sliding respective switch to the desired value.

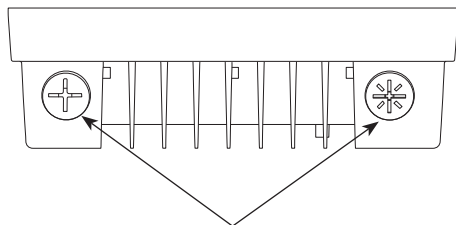


Fig: 5

Selector Switch Caps

15W, 35W, 60W

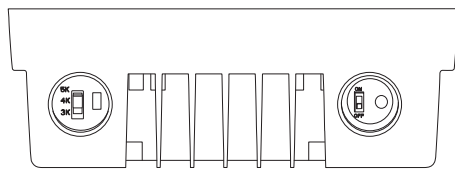


Fig: 6

CCT Selector Switch

Photocell Selector Switch

105W, 140W

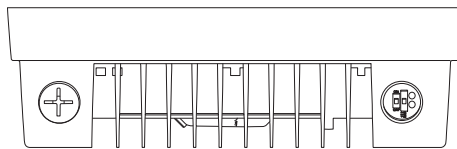


Fig: 7

Photocell Selector Switch

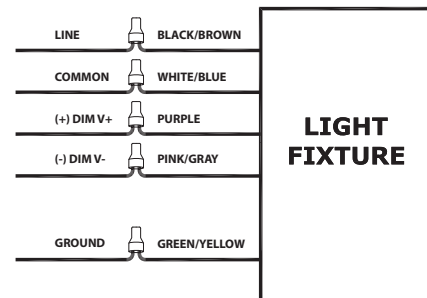
CCT Selector Switch

0-10V DIMMABLE WIRING

Universal voltage driver permits operation at 120V thru 277V, 50 or 60 Hz. Units ordered with /480 suffix are 480V. For 0-10 Dimming, follow the wiring directions as shown in **Fig. 8**.

1. Connect the black/brown fixture lead to the LINE supply lead.
2. Connect the white/blue fixture lead to the COMMON supply lead.
3. Connect the green/yellow wire from fixture to supply ground. Do NOT connect the GROUND of the dimming fixture to the output.
4. Connect the purple fixture lead to the DIM V+ lead.
5. Connect the pink/gray fixture lead to the DIM V- lead.
6. Cap the yellow fixture lead, if present. Do NOT connect.

Fig: 8



CLEANING & MAINTENANCE

CAUTION: Be sure fixture temperature is cool enough to touch. Do not clean or maintain while fixture is energized.

1. Clean glass lens with non-abrasive glass cleaning solution.
2. Do not open the fixture to clean the LED. Do not touch the LED.

TROUBLESHOOTING

1. Is the fixture grounded properly?
2. It is recommended to wear gloves to avoid injury during installation.
3. If any smoke or spark, please turn off the power immediately.

Note: These instructions do not cover all details or variations in equipment nor do they provide for every possible situation during installation, operation or maintenance.



Easy Answers

© 2021 RAB LIGHTING Inc.
X17FA-15/35/60/80/105/140 IN-1021
73709-RAB

rablighting.com
Visit our website for product info

Tech Help Line
Call our experts: 888 722-1000

e-mail
Answered promptly - sales@rablighting.com

Free Lighting Layouts
Answered online or by request