



Ultra-economy field adjustable X17 is available in three sizes and a total of 6 lumen packages, all with a wide 7H x 7V NEMA distribution that makes them the optimal floodlight for a large variety of general-purpose applications. 0-10V dimming is standard on all models.

Color: Bronze

Weight: 7.5 lbs

<b>Project:</b>	<b>Type:</b>
<b>Prepared By:</b>	<b>Date:</b>

Driver Info		LED Info	
Type	Constant Current	Watts	60W
120V	0.60A	Color Temp	3000K/4000K/5000K
208V	0.35A	Color Accuracy	83/85/83 CRI
240V	0.28A	L70 Lifespan	100,000 Hours
277V	0.24A	Lumens	7782/8372/8178 lm
Input Watts	59.5/57.2/59.4W	Efficacy	130.8/146.4/137.7 lm/W

## Technical Specifications

### Field Adjustability

#### Field Adjustable:

Color temperature selectable by 3000K, 4000K and 5000K

### Compliance

#### UL Listed:

Suitable for wet locations

#### IP Rating:

Ingress protection rating of IP65 for dust and water

#### DLC Listed:

This product is listed by Design Lights Consortium (DLC) as an ultra-efficient premium product that qualifies for the highest tier of rebates from DLC Member Utilities. Designed to meet DLC 5.1 requirements.

DLC Product Code: PL4EJKCBAZCG

### Electrical

#### Driver:

Constant Current, Class 2, 120-277V, 50/60Hz, 120V: 0.60A, 208V: 0.35A, 240V: 0.28A, 277V: 0.24A

#### Dimming Driver:

Driver includes wiring for 0-10V dimming systems. Dim as low as 10%.

#### THD:

15.74% at 120V, 13.59% at 277V

#### Power Factor:

98.6% at 120V, 93.3% at 277V

#### Photocell:

120-277V selectable photocell that can be turned on and off.

#### Surge Protection:

CM: 2.5kV  
DM: 2.5kV

### LED Characteristics

#### LEDs:

Long-life, high-efficacy, surface-mount LEDs

#### Color Uniformity:

RAB's range of Correlated Color Temperature follows the guidelines of the American National Standard for Specifications for the Chromaticity of Solid State Lighting (SSL) Products, ANSI C78.377-2017.

### Construction

#### Cold Weather Starting:

The minimum starting temperature is -40°C (-40°F)

#### Maximum Ambient Temperature:

Suitable for use in up to 40°C (104°F)

#### Housing:

Precision die-cast aluminum

#### Mounting:

Slipfitter with 180° pivot available for mounting on 2 3/8" tenon

#### Lens:

Tempered glass

#### Reflector:

Polycarbonate

#### Finish:

Formulated for high durability and long-lasting color

#### Green Technology:

Mercury and UV free. RoHS-compliant components.

### Optical

#### NEMA Type:

NEMA Beam Spread of 7H x 7V

### Other

#### 5 Yr Limited Warranty:

The RAB 5-year, limited warranty covers light output, driver performance and paint finish. RAB's warranty is subject to all terms and conditions found at [rablighting.com/warranty](http://rablighting.com/warranty).

#### Note:

All values are typical (tolerance +/- 10%)

## Technical Specifications (continued)

### Buy American Act Compliance:

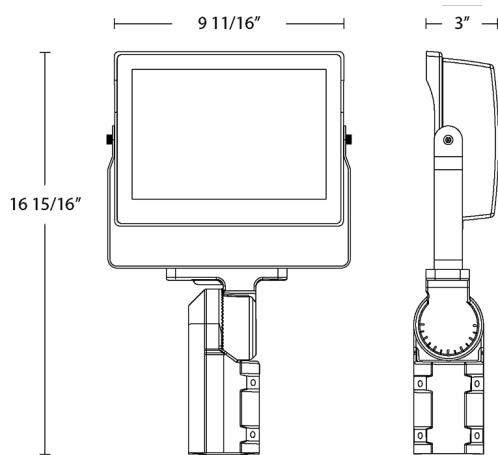
RAB values USA manufacturing! Upon request, RAB may be able to manufacture this product to be compliant with the Buy American Act (BAA). Please contact customer service to request a quote for the product to be made BAA compliant.

### Performance

#### Wattage Equivalency:

Equivalent to 250W Metal Halide

## Dimensions



## Features

- DLC Premium listed
- IP65 Rated
- 100,000-Hour LED lifespan
- 5-Year, limited warranty

## Ordering Matrix

Family	Wattage	Field Adjustability	Mounting	Finish	Color Temp	Voltage	Options
X17	FA	60		SF			
	15 = 15W 35 = 35W 60 = 60W 80 = 80W 105 = 105W 140 = 140W	FA = 2-Way Field Adjustable	Blank = Knuckle SF = Slipfitter T = Trunnion	Blank = Bronze W = White	Blank = 3000K/4000K/5000K Selectable	Blank = 120-277V /480 = 480V	Blank = Selectable photocell
	15 = 15W 35 = 35W 60 = 60W 80 = 80W 105 = 105W 140 = 140W						