



Ultra-economy field adjustable X17 is available in three sizes and a total of 6 lumen packages, all with a wide 7H x 7V NEMA distribution that makes them the optimal floodlight for a large variety of general-purpose applications. 0-10V dimming is standard on all models.

Color: Bronze

Weight: 10.4 lbs

Project:	Type:
Prepared By:	Date:

Driver Info		LED Info	
Type	Constant Current	Watts	140W
120V	N/A	Color Temp	3000K/4000K/5000K
208V	N/A	Color Accuracy	83/85/84 CRI
240V	N/A	L70 Lifespan	100,000 Hours
277V	N/A	Lumens	18292/19532/18898 lm
Input Watts	142.6/136.93/142.6W	Efficacy	128.3/142.6/132.5 lm/W

Technical Specifications

Field Adjustability

Field Adjustable:

Color temperature selectable by 3000K, 4000K and 5000K

Compliance

UL Listed:

Suitable for wet locations

IP Rating:

Ingress protection rating of IP65 for dust and water

DLC Listed:

This product is listed by Design Lights Consortium (DLC) as an ultra-efficient premium product that qualifies for the highest tier of rebates from DLC Member Utilities. Designed to meet DLC 5.1 requirements.

DLC Product Code: PLRBO4LAJA1S

Electrical

Driver:

Constant Current, Class 2, 480V, 50/60Hz, 480V: 0.40A

Dimming Driver:

Driver includes wiring for 0-10V dimming systems. Dim as low as 10%.

THD:

9.38% at 480V

Power Factor:

93.7% at 480V

Photocell:

480V selectable photocell that can be turned on and off.

Surge Protection:

CM: 6kV
DM: 4kV

LED Characteristics

LEDs:

Long-life, high-efficacy, surface-mount LEDs

Color Uniformity:

RAB's range of Correlated Color Temperature follows the guidelines of the American National Standard for Specifications for the Chromaticity of Solid State Lighting (SSL) Products, ANSI C78.377-2017.

Construction

Cold Weather Starting:

The minimum starting temperature is -40°C (-40°F)

Maximum Ambient Temperature:

Suitable for use in up to 40°C (104°F)

Housing:

Precision die-cast aluminum

Mounting:

Slipfitter with 180° pivot available for mounting on 2 3/8" tenon

Tilt Increment:

Rotates in 6 degree increments

Effective Projected Area:

EPA = 1.05

Lens:

Tempered glass

Reflector:

Polycarbonate

Finish:

Formulated for high durability and long-lasting color

Green Technology:

Mercury and UV free. RoHS-compliant components.

Optical

NEMA Type:

NEMA Beam Spread of 7H x 7V

Technical Specifications (continued)

Other

5 Yr Limited Warranty:

The RAB 5-year, limited warranty covers light output, driver performance and paint finish. RAB's warranty is subject to all terms and conditions found at rablighting.com/warranty.

Note:

All values are typical (tolerance +/- 10%)

Buy American Act Compliance:

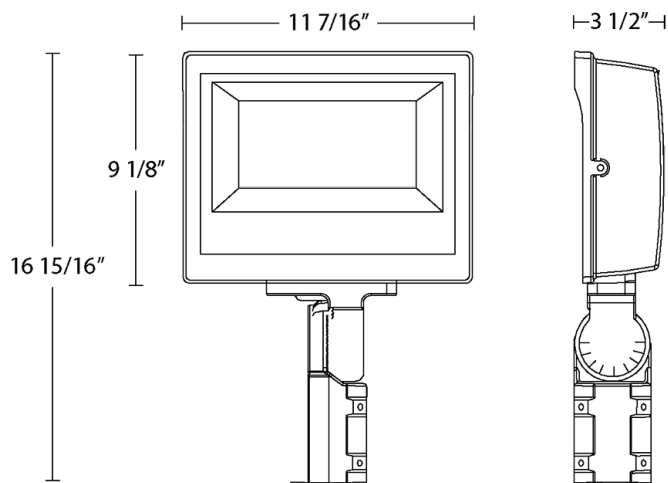
RAB values USA manufacturing! Upon request, RAB may be able to manufacture this product to be compliant with the Buy American Act (BAA). Please contact customer service to request a quote for the product to be made BAA compliant.

Performance

Wattage Equivalency:

Equivalent to 750W Metal Halide

Dimensions



Features

- DLC Premium listed
- IP65 Rated
- 100,000-Hour LED lifespan
- 5-Year, limited warranty

Ordering Matrix

Family	Wattage	Field Adjustability	Mounting	Finish	Color Temp	Voltage	Options
X17	FA	140		SF		/480	
	15 = 15W 35 = 35W 60 = 60W 80 = 80W 105 = 105W 140 = 140W 15 = 15W 35 = 35W 60 = 60W 80 = 80W 105 = 105W 140 = 140W	FA = 2-Way Field Adjustable	Blank = Knuckle SF = Slipfitter T = Trunnion	Blank = Bronze W = White	Blank = 3000K/4000K/5000K Selectable	Blank = 120-277V /480 = 480V	Blank = Selectable photocell