



Ultra-economy field adjustable X17 is available in three sizes and a total of 6 lumen packages, all with a wide 7H x 7V NEMA distribution that makes them the optimal floodlight for a large variety of general-purpose applications. 0-10V dimming is standard on all models.

Color: Bronze

Weight: 9.3 lbs

Project:

Type:

Prepared By:

Date:

Driver Info

| | |
|-------------|--------------------|
| Type | Constant Current |
| 120V | 1.00A |
| 208V | 0.60A |
| 240V | 0.50A |
| 277V | 0.42A |
| Input Watts | 103.8/100.2/104.1W |

LED Info

| | |
|----------------|------------------------|
| Watts | 105W |
| Color Temp | 3000K/4000K/5000K |
| Color Accuracy | 83/86/84 CRI |
| L70 Lifespan | 100,000 Hours |
| Lumens | 13243/14129/13616 lm |
| Efficacy | 127.5/140.9/130.8 lm/W |

Technical Specifications

Field Adjustability

Field Adjustable:

Color temperature selectable by 3000K, 4000K and 5000K

Compliance

UL Listed:

Suitable for wet locations

IP Rating:

Ingress protection rating of IP65 for dust and water

DLC Listed:

This product is listed by Design Lights Consortium (DLC) as an ultra-efficient premium product that qualifies for the highest tier of rebates from DLC Member Utilities. Designed to meet DLC 5.1 requirements.

DLC Product Code: PLDMJD8VQ91V

Electrical

Driver:

Constant Current, Class 2, 120-277V, 50/60Hz, 120V: 1.00A, 208V: 0.60A, 240V: 0.50A, 277V: 0.42A

Dimming Driver:

Driver includes wiring for 0-10V dimming systems. Dim as low as 10%.

THD:

2.66% at 120V, 7.17% at 277V

Power Factor:

99.7% at 120V, 95% at 277V

Photocell:

120-277V selectable photocell that can be turned on and off.

Surge Protection:

CM: 4kV
DM: 4kV

LED Characteristics

LEDs:

Long-life, high-efficiency, surface-mount LEDs

Color Uniformity:

RAB's range of Correlated Color Temperature follows the guidelines of the American National Standard for Specifications for the Chromaticity of Solid State Lighting (SSL) Products, ANSI C78.377-2017.

Construction

Cold Weather Starting:

The minimum starting temperature is -40°C (-40°F)

Maximum Ambient Temperature:

Suitable for use in up to 40°C (104°F)

Housing:

Precision die-cast aluminum

Mounting:

Heavy-duty Trunnion mount with stainless steel hardware

Tilt Increment:

Rotates in 30 degree increments

Effective Projected Area:

EPA = 1.05

Lens:

Tempered glass

Reflector:

Polycarbonate

Finish:

Formulated for high durability and long-lasting color

Green Technology:

Mercury and UV free. RoHS-compliant components.

Optical

NEMA Type:

NEMA Beam Spread of 7H x 7V

Technical Specifications (continued)

Other

5 Yr Limited Warranty:

The RAB 5-year, limited warranty covers light output, driver performance and paint finish. RAB's warranty is subject to all terms and conditions found at rablighting.com/warranty.

Note:

All values are typical (tolerance +/- 10%)

Buy American Act Compliance:

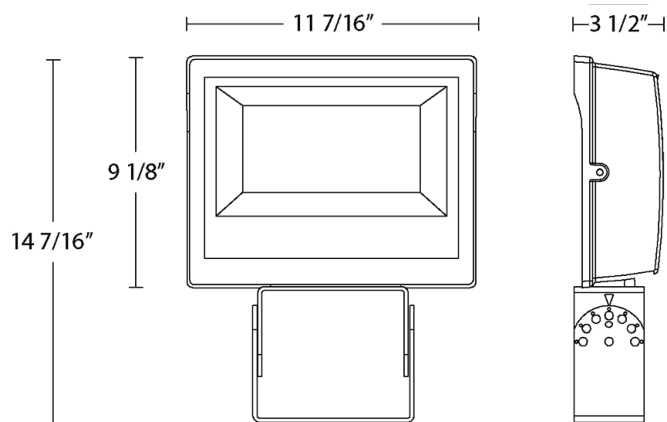
RAB values USA manufacturing! Upon request, RAB may be able to manufacture this product to be compliant with the Buy American Act (BAA). Please contact customer service to request a quote for the product to be made BAA compliant.

Performance

Wattage Equivalency:

Equivalent to 400W Metal Halide

Dimensions



Features

DLC Premium listed

IP65 Rated

100,000-Hour LED lifespan

5-Year, limited warranty

Ordering Matrix

| Family | Wattage | Field Adjustability | Mounting | Finish | Color Temp | Voltage | Options |
|--------|--|-----------------------------|--|-----------------------------|--------------------------------------|------------------------------|------------------------------|
| X17 | FA | 105 | | T | | | |
| | 15 = 15W 35 = 35W 60 = 60W 80 = 80W 105 = 105W 140 = 140W 15 = 15W 35 = 35W 60 = 60W 80 = 80W 105 = 105W 140 = 140W | FA = 2-Way Field Adjustable | Blank = Knuckle SF = Slipfitter T = Trunnion | Blank = Bronze W = White | Blank = 3000K/4000K/5000K Selectable | Blank = 120-277V /480 = 480V | Blank = Selectable photocell |