



Project:	Type:
Prepared By:	Date:

Driver Info		LED Info	
Type	Constant	Watts	80/60/40W
120V	N/A	Color Temp	3000K/4000K/5000K
208V	N/A	Color	82-84 CRI
240V	N/A	Accuracy	
277V	N/A	L70 Lifespan	100,000 Hours
Input Watts	41.6-80.1W	Lumens	6,033-11,465 lm
		Efficacy	134.6-150 lm/W

Technical Specifications

Field Adjustability

Field Adjustable:

Field Adjustable Light Output:
80W/60W/40W (factory default 80W)
Color temperature selectable 3000K, 4000K and 5000K (factory default 4000K)

Compliance

UL Listed:

Suitable for wet locations

IP Rating:

Ingress protection rating of IP65 for dust and water

Trade Agreements Act Compliant:

This product is a product of Cambodia and a "designated country" end product that complies with the Trade Agreements Act

DLC Listed:

This product is listed by Design Lights Consortium (DLC) as an ultra-efficient premium product that qualifies for the highest tier of rebates from DLC Member Utilities. Designed to meet DLC 5.1 requirements.
DLC Product Code: S-CK3MPC

Electrical

Driver:

Constant Current, Class 2, 480V, 50/60 Hz
80W: 480V: 0.18A
60W: 480V: 0.14A
40W: 480V: 0.11A

Dimming Driver:

Driver includes dimming control wiring for 0-10V dimming systems. Requires separate 0-10V DC dimming circuit. Dims down to 10%.

THD:

80W: 7.23% at 480V
60W: 10.56% at 480V
40W: 16.13% at 480V

Power Factor:

80W: 91.3% at 480V
60W: 85.8% at 480V
40W: 78.2% at 480V

Photocell:

Integrated photocell included with on/off switch

Surge Protection:

4kV

Performance

Lifespan:

100,000-Hour LED lifespan based on IES LM-80 results and TM-21 calculations

Wattage Equivalency:

80W: Replaces up to 350W Metal Halide (MH) or 250W High Pressure Sodium (HPS)
60W: Replaces up to 250W Metal Halide (MH) or 200W High Pressure Sodium (HPS)
40W: Replaces up to 175W Metal Halide (MH) or 150W High Pressure Sodium (HPS)

LED Characteristics

LEDs:

Long-life, high-efficacy, surface-mount LEDs

Color Uniformity:

RAB's range of Correlated Color Temperature follows the guidelines of the American National Standard for Specifications for the Chromaticity of Solid State Lighting (SSL) Products, ANSI C78.377-2017.

Construction

Housing:

Aluminum alloy

Mounting:

Hinged wiring access and conduit entries on the back sides, top and bottom make installation a snap

Technical Specifications (continued)

Lens:

Prismatic, heat-resistant borosilicate glass

Reflector:

Aluminum

Gaskets:

High-temperature silicone

Cold Weather Starting:

The minimum starting temperature is -40°C (-40°F)

Maximum Ambient Temperature:

Suitable for use in up to 40°C (104°F)

Green Technology:

Mercury and UV free. RoHS-compliant components.

Finish:

Formulated for high durability and long-lasting color

Other

Warranty:

RAB warrants that our LED products will be free from defects in materials and workmanship for a period of ten (10) years from the date of delivery to the end user, including coverage of light output, color stability, driver performance and fixture finish. RAB's warranty is subject to all terms and conditions found at rablighting.com/warranty.

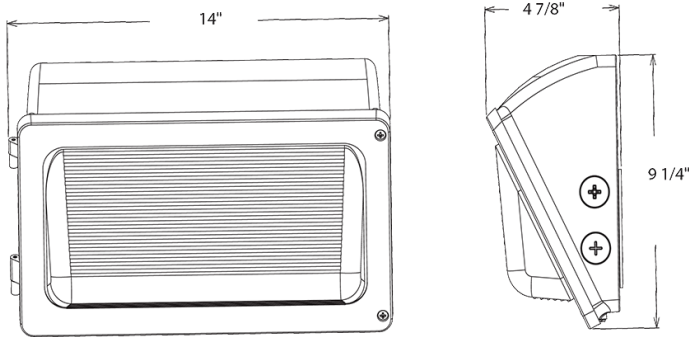
Note:

All values are typical (tolerance +/- 10%)

Buy American Act Compliance:

RAB values USA manufacturing! Upon request, RAB may be able to manufacture this product to be compliant with the Buy American Act (BAA). Please contact customer service to request a quote for the product to be made BAA compliant.

Dimensions



Features

- 100,000-Hour LED lifespan
- 0-10V dimming standard
- 10-Year, no-compromise warranty

Ordering Matrix

Family	Wattage	Color Temp	Finish	Voltage	Options
WPX	2		W	/480	
	1 = 30/20/15W 2 = 80/60/40W 3 = 130/100/65W	Blank = 3000K/4000K/5000K Adjustable	Blank = Bronze W = White	Blank = 120-277V, 0-10V Dimming /480 = 480V, 0-10V Dimming ¹	Blank = Selectable On/Off Photocell /MVS = Microwave Occupancy Sensor /LC = Lightcloud Controller /LCB = Lightcloud Blue Enabled ² /LCBS/MVS = Lightcloud Blue Enabled w/MVS Sensor /E = Battery Backup ³ /MVS/E = Microwave Occupancy Sensor w/Battery Backup ³ /LC/E = Lightcloud Controller w/Battery Backup ³

¹ 480V available only in WPX2 and WPX3 models
² /LCB option available only for 120-277V models
³ Battery backup available only for WPX2 and WPX3 in 120-277V models