



High performance LED tall pack. Covers footprint of most HID Tall packs. Vandal resistant lens. Precision die-cast aluminum. 0-10V dimmable driver with 120-277V photocell.

Color: Bronze

Weight: 6.3 lbs

<b>Project:</b>	<b>Type:</b>
<b>Prepared By:</b>	<b>Date:</b>

Driver Info		LED Info	
Type	Constant Current	Watts	25W
120V	0.17A	Color Temp	5000K (Cool)
208V	0.10A	Color Accuracy	77 CRI
240V	0.09A	L70 Lifespan	100,000 Hours
277V	0.08A	Lumens	2,730 lm
Input Watts	20.8W	Efficacy	131.3

**Technical Specifications**

**Compliance**

**UL Listed:**

Suitable for wet locations. Wall mount only.

**IP Rating:**

Ingress protection rating of IP66 for dust and water

**Trade Agreements Act Compliant:**

This product is a product of Cambodia and a "designated country" end product that complies with the Trade Agreements Act

**DLC Listed:**

This product is on the Design Lights Consortium (DLC) Qualified Products List and is eligible for rebates from DLC Member Utilities. Designed to meet DLC 5.1 requirements.  
DLC Product Code: S-Q5LZ6E

**Performance**

**Lifespan:**

100,000-Hour LED lifespan based on IES LM-80 results and TM-21 calculations

**Wattage Equivalency:**

Equivalent to 70W Metal Halide/50W HPS

**LED Characteristics**

**LEDs:**

Long-life, high-efficacy, surface-mount LEDs

**Color Stability:**

LED color temperature is warrantied to shift no more than 200K in color temperature over a 5-year period

**Color Uniformity:**

RAB's range of Correlated Color Temperature follows the guidelines of the American National Standard for Specifications for the Chromaticity of Solid State Lighting (SSL) Products, ANSI C78.377-2017.

**Construction**

**Ambient Temperature:**

Suitable for use in up to -40°C (-40°F) to 40°C (104°F)

**Cold Weather Starting:**

The minimum starting temperature is -40°C (-40°F)

**Thermal Management:**

Superior thermal management with die-cast aluminum heatsink

**Housing:**

Precision die-cast aluminum

**Refractor Lens:**

High-impact, diffuse, UV-stabilized polycarbonate

**Mounting:**

Three (3) 1/2" NPS conduit entry points (2 sides for through-feed, and bottom), and drilling template for easy wall box mounting

**Reflector:**

High-gloss white aluminum

**Gaskets:**

High-temperature silicone gaskets

**Finish:**

Formulated for high durability and long-lasting color

**Green Technology:**

Mercury and UV free. RoHS-compliant components.

**Electrical**

**Driver:**

Constant Current, Class 2, 120-277V, 50-60Hz, 120V: 0.17A, 208V: 0.10A, 240V: 0.09A, 277V: 0.08A

**Dimming Driver:**

0-10V dimming driver standard for ultimate flexibility. Use as on/off or utilize the 0-10V DC dimming circuit for controls.

**THD:**

15.43% at 120V, 11.21% at 277V

## Technical Specifications (continued)

### Power Factor:

96.9% at 120V, 94.1% at 277V

### Photocell:

Photocell is rated for 120V thru 277V. to disable, simply use the provide silicone rubber cap and cover.

### Other

#### Warranty:

RAB warrants that our LED products will be free from defects in materials and workmanship for a period of five (5) years from the date of delivery to the end user, including coverage of light output, color stability, driver performance and fixture finish. RAB's warranty is subject to all terms and conditions found at [rablighting.com/warranty](http://rablighting.com/warranty).

#### Patents:

The design of WPTLED is protected by patents pending in US, Canada, China, Taiwan and Mexico

#### Buy American Act Compliance:

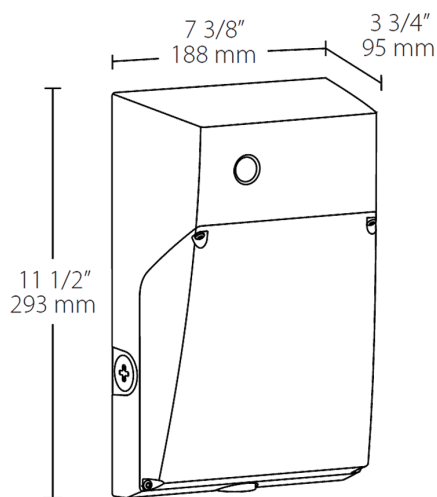
RAB values USA manufacturing! Upon request, RAB may be able to manufacture this product to be compliant with the Buy American Act (BAA). Please contact customer service to request a quote for the product to be made BAA compliant.

### Optical

#### BUG Rating:

B0 U3 G2

## Dimensions



## Features

- Covers footprints of most HID tall packs
- 0-10V dimmable driver & 120 - 277V photocell
- Vandal-resistant lens
- 100,000-Hour LED lifespan

## Ordering Matrix

Family	Wattage	Color Temp	Finish	Dimming	Photocell	Lightcloud	Other Options
WPTLED	25			/D10	/PC2		
	12 = 12W 25 = 25W 40 = 40W	<b>Blank</b> = 5000K Cool Y = 3000K Warm N = 4000K Neutral	<b>Blank</b> = Bronze W = White	/D10 = Dimmable	/PC2 = 120-277V Photocell	<b>Blank</b> = No Lightcloud® /LC = Lightcloud® Controller	<b>Blank</b> = Standard USA = BAA Compliant