



High performance LED tall pack. Covers footprint of most HID Tall packs. Vandal resistant lens. Precision die-cast aluminum. 0-10V dimmable driver with 120-277V photocell. Includes built in support for Lightcloud, a wireless lighting control system and service, fully developed by RAB.

Color: Bronze

Weight: 6.3 lbs

<b>Project:</b>	<b>Type:</b>
<b>Prepared By:</b>	<b>Date:</b>

Driver Info		LED Info	
Type	Constant Current	Watts	12W
120V	0.10A	Color Temp	5000K (Cool)
208V	0.06A	Color Accuracy	77 CRI
240V	0.05A	L70 Lifespan	100,000 Hours
277V	0.05A	Lumens	1,569 lm
Input Watts	12.8W	Efficacy	122.6

### Technical Specifications

#### Compliance

##### UL Listed:

Suitable for wet locations. Wall mount only.

##### IP Rating:

Ingress protection rating of IP66 for dust and water

#### Performance

##### Lifespan:

100,000-Hour LED lifespan based on IES LM-80 results and TM-21 calculations

##### Wattage Equivalency:

Equivalent to 35W HPS or 50W Metal Halide

#### LED Characteristics

##### LEDs:

Long-life, high-efficacy, surface-mount LEDs

##### Color Stability:

LED color temperature is warrantied to shift no more than 200K in color temperature over a 5-year period

##### Color Uniformity:

RAB's range of Correlated Color Temperature follows the guidelines of the American National Standard for Specifications for the Chromaticity of Solid State Lighting (SSL) Products, ANSI C78.377-2017.

#### Construction

##### Ambient Temperature:

Suitable for use in up to -40°C (-40°F) to 40°C (104°F)

##### Cold Weather Starting:

The minimum starting temperature is -40°C (-40°F)

##### Thermal Management:

Superior thermal management with die-cast aluminum heatsink

##### Housing:

Precision die-cast aluminum

##### Refractor Lens:

High-impact, diffuse, UV-stabilized polycarbonate

##### Mounting:

Three (3) 1/2" NPS conduit entry points (2 sides for through-feed, and bottom), and drilling template for easy wall box mounting

##### Reflector:

High-gloss white aluminum

##### Gaskets:

High-temperature silicone gaskets

#### Finish:

Formulated for high durability and long-lasting color

#### Green Technology:

Mercury and UV free. RoHS-compliant components.

#### Electrical

##### Driver:

Constant Current, Class 2, 120-277V, 50-60Hz, 120V: 0.10A, 208V: 0.06A, 240V: 0.05A, 277V: 0.05A

##### Dimming Driver:

0-10V dimming driver standard for ultimate flexibility. Use as on/off or utilize the 0-10V DC dimming circuit for controls.

##### THD:

5.47% at 120V, 10.61% at 277V

##### Power Factor:

99.2% at 120V, 92.1% at 277V

##### Photocell:

Photocell is rated for 120V thru 277V. to disable, simply use the provide silicone rubber cap and cover.

## Technical Specifications (continued)

### Lightcloud

---

#### Lightcloud Controller Installed:

Integrated/embedded networked lighting control, luminaire-level lighting control. Fixture, Zone, and plug-load control from one powerful device. LLLC - capable of switching, 0-10V dimming, power/energy monitoring. Can also be used to extend the range of the Lightcloud mesh network communication protocols. Offers the capability to set the maximum light output to a less-than-maximum state of an individual luminaire at the time of installation or commissioning. The High-End trim functionality is field reconfigurable via the Lightcloud mesh network communication protocols. The Lightcloud controller can be attached to the fixture, junction box, or electrical panel.

DLC system - NHCZ2BIA17L

[Learn more about Lightcloud.](#)

### Other

---

#### Warranty:

RAB warrants that our LED products will be free from defects in materials and workmanship for a period of five (5) years from the date of delivery to the end user, including coverage of light output, color stability, driver performance and fixture finish. RAB's warranty is subject to all terms and conditions found at [rablighting.com/warranty](http://rablighting.com/warranty).

#### Patents:

The design of WPTLED is protected by patents pending in US, Canada, China, Taiwan and Mexico

#### Buy American Act Compliance:

RAB values USA manufacturing! Upon request, RAB may be able to manufacture this product to be compliant with the Buy American Act (BAA). Please contact customer service to request a quote for the product to be made BAA compliant.

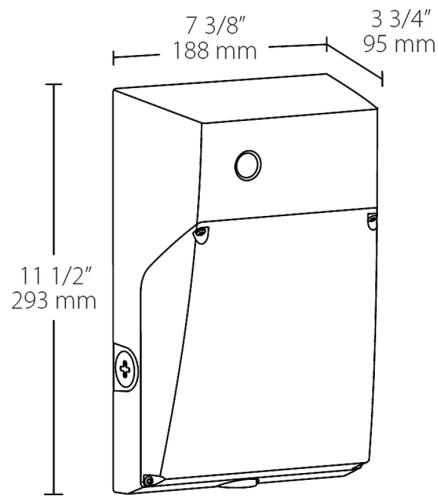
### Optical

---

#### BUG Rating:

B0 U3 G2

## Dimensions



## Features

- Covers footprints of most HID tall packs
- 0-10V dimmable driver & 120 - 277V photocell
- Vandal-resistant lens
- 100,000-Hour LED lifespan
- Built in support Lightcloud™
- Easy setup - simply power on, confirm device connectivity and call 844-LIGHTCLOUD

## Ordering Matrix

Family	Wattage	Color Temp	Finish	Dimming	Photocell	Lightcloud	Other Options
WPTLED	12			/D10	/PC2	/LC	
	12 = 12W 25 = 25W 40 = 40W	Blank = 5000K Cool Y = 3000K Warm N = 4000K Neutral	Blank = Bronze W = White	/D10 = Dimmable	/PC2 = 120-277V Photocell	Blank = No Lightcloud® /LC = Lightcloud® Controller	Blank = Standard USA = BAA Compliant