



Color: Bronze

Weight: 2.1 lbs

Project:	Type:
Prepared By:	Date:

Driver Info		LED Info	
Type	Constant Current	Watts	13/10/6W
120V	0.09A/0.07A/0.04A	Color Temp	Amber
208V	0.06A/0.04A/0.03A	Color Accuracy	N/A CRI
240V	0.05A/0.04A/0.03A	L70 Lifespan	50,000 Hours
277V	0.04A/0.03A/0.02A	Lumens	301-548 lm
Input Watts	5.4-11.4W	Efficacy	48.1-55.7 lm/W

Technical Specifications

Field Adjustability

Field Adjustable (Wattage):

Field adjustable light output in 3 discrete steps: 13/10/6W (factory default 6W)

Compliance

UL Listed:

Suitable for wet locations

DarkSky Approved (Commercial Luminaire):

Commercial luminaires are outdoor luminaires that are used on properties of commercial or industrial businesses and places with high traffic, such as schools, hotels, and government buildings, as well as public spaces or rights-of-way, including streets and roadways.

DarkSky Approved (Pedestrian Comfort Luminaire):

Pedestrian Comfort luminaires are commercial luminaires with reduced lumen output and more stringent high-angle light restrictions that create a more comfortable experience for pedestrians.

Trade Agreements Act Compliant:

This product is a product of Cambodia and a "designated country" end product that complies with the Trade Agreements Act

DLC Listed:

This product family is listed with the DesignLights Consortium (DLC). Individual SKUs within this family may carry either a DLC Standard or DLC Premium qualification. Please refer to the individual product specification sheet or the DLC Qualified Products List (QPL) at designlights.org to confirm the qualification status of a specific SKU prior to specification or purchase.

LUNA:

This product has received the Design Lights Consortium's LUNA listing. LUNA Product Code: S-Z3SB5W

Electrical

Driver:

Constant Current, Class 2, 120-277V, 50/60 Hz
 13W: 120V: 0.09A, 208V: 0.06A, 240V: 0.05A, 277V: 0.04A
 10W: 120V: 0.07A, 208V: 0.04A, 240V: 0.04A, 277V: 0.03A
 6W: 120V: 0.04A, 208V: 0.03A, 240V: 0.03A, 277V: 0.02A

Dimming Driver:

Driver includes dimming control wiring for 0-10V dimming systems. Requires separate 0-10V DC dimming circuit. Dims down to 10%.

Photocell:

Integrated photocell included with on/off switch

Surge Protection:

L-L 2 kV; L-G 4 kV

Aux Power Supply:

No

Dim to Off:

Yes

Performance

Lifespan:

50,000-Hour LED lifespan based on IESIm-80 results and TM-21 calculations

Optical

BUG Rating:

13W: B0 U1 G0
 10W: B0 U1 G0
 6W: B0 U0 G0

LED Characteristics

LEDs:

Long-life, high-efficacy, surface-mount LEDs

Color Consistency:

7-step MacAdam Ellipse binning to achieve consistent fixture-to-fixture color

Technical Specifications (continued)

Color Uniformity:

RAB's range of Correlated Color Temperature follows the guidelines of the American National Standard for Specifications for the Chromaticity of Solid State Lighting (SSL) Products, ANSI C78.377-2017.

Construction

Full Cutoff:

Allows for conformance to the IDA's fully shielding requirement, emitting no light above 90 degrees.

Housing:

Die-cast aluminum

Lens:

Acrylic lens

Reflector:

High reflection polycarbonate

Cold Weather Starting:

The minimum starting temperature is -40°F (-40°C)

Maximum Ambient Temperature:

Suitable for use in up to 104°F (40°C)

Green Technology:

Mercury and UV free. RoHS-compliant components.

Finish:

Formulated for high durability and long-lasting color

Installation

Mounting:

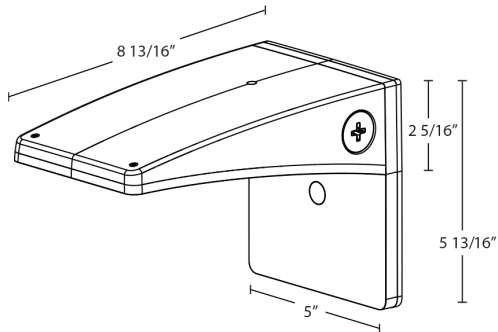
Integrated j-box and an optional wall plate included.

Other

5-Year, No-Compromise Warranty:

RAB warrants that our LED products will be free from defects in materials and workmanship for a period of five (5) years from the date of delivery to the end user, including coverage of light output, color stability, driver performance and fixture finish. RAB's warranty is subject to all terms and conditions found at rablighting.com/warranty.

Dimensions



Features

- Wildlife-friendly amber light
- 50,000-Hour LED lifespan
- 0-10V dimming standard
- 5-Year, no-compromise warranty

Ordering Matrix

Family	Size/Wattage	Mounting	CCT/Wavelength	Finish	Driver	Options
WPLED	S S = Small 13/10/6W M = Medium 32/24/16W	Blank = Integrated J-Box w/Optional Wall Plate Included	Blank = 3000/4000/5000K CCT Adjustable YA = Amber Wavelength 592 nm	Blank = Bronze W = White	Blank = 120-277V, 0-10V Dimming	Blank = Integrated Photocell /E = Battery Backup /EC = Cold Battery /LCBS/MVS = Lightcloud Blue w/MVS Sensor ¹ /LCBS/MVS/E = Lightcloud Blue w/MVS Sensor & Battery Backup ¹ /LCBS/MVS/EC = Lightcloud Blue w/MVS Sensor & Cold Battery ¹

¹ Available on medium fixture only