



<b>Project:</b>	<b>Type:</b>
<b>Prepared By:</b>	<b>Date:</b>

Driver Info		LED Info	
Type	Constant Current	Watts	5W
120V	0.18A	Color Temp	5000K (Cool)
208V	N/A	Color Accuracy	68 CRI
240V	N/A	L70 Lifespan	100,000 Hours
277V	N/A	Lumens	213 lm
Input Watts	5.2W	Efficacy	41 lm/W

**Technical Specifications**

**Electrical**

**Drivers:**

Constant current, Class 2, 100 - 240VAC, 50 - 60 Hz, 0.18 Amps.

**Photocell:**

120V Swivel photocell included. Photocell is only compatible with 120V.

**Surge Protection:**

1 KV

**Compliance**

**UL Listed:**

Suitable for wet locations in downlight position only. Suitable for mounting within 4ft (1.2m) of the ground.

**IESNA LM-79 & lm-80 Testing:**

RAB LED luminaires and LED components have been tested by an independent laboratory in accordance with IESNA lm-79 and lm-80

**ADA:**

WPLEDR5 meets the requirements of the Americans with Disabilities Act (ADA)

**Performance**

**Lifespan:**

100,000-Hour LED lifespan based on IES LM-80 results and TM-21 calculations

**Wattage Equivalency:**

Equivalent to 13W CFL or 60W Incandescent

**Other**

**Patents:**

The WPLED design is protected by patents pending in the U.S., Canada, China, Taiwan and Mexico.

**Warranty:**

RAB warrants that our LED products will be free from defects in materials and workmanship for a period of five (5) years from the date of delivery to the end user, including coverage of light output, color stability, driver performance and fixture finish. RAB's warranty is subject to all terms and conditions found at [rablighting.com/warranty](http://rablighting.com/warranty).

**Buy American Act Compliance:**

RAB values USA manufacturing! Upon request, RAB may be able to manufacture this product to be compliant with the Buy American Act (BAA). Please contact customer service to request a quote for the product to be made BAA compliant.

**LED Characteristics**

**LEDs:**

5W, high-output, long-life LED

**Color Temperature:**

5000K

**Color Consistency:**

7-step MacAdam Ellipse binning to achieve consistent fixture-to-fixture color

**Color Stability:**

LED color temperature is warrantied to shift no more than 200K in color temperature over a 5-year period

**Color Uniformity:**

RAB's range of Correlated Color Temperature follows the guidelines of the American National Standard for Specifications for the Chromaticity of Solid State Lighting (SSL) Products, ANSI C78.377-2017.

**Construction**

**Ambient Temperature:**

Suitable for use in up to 40°C (104°F)

**Cold Weather Starting:**

The minimum starting temperature is -40°C (-40°F)

**Thermal Management:**

Integral cast aluminum mounting pad for optimum heat sinking to ensure cool operation with maximum LED life and light output

**Housing:**

Precision die-cast aluminum housing and mounting plate. 1 1/2" backbox with three 1/2" conduit entry points.

**Technical Specifications (continued)**

**Gaskets:**

High-temperature silicone gaskets

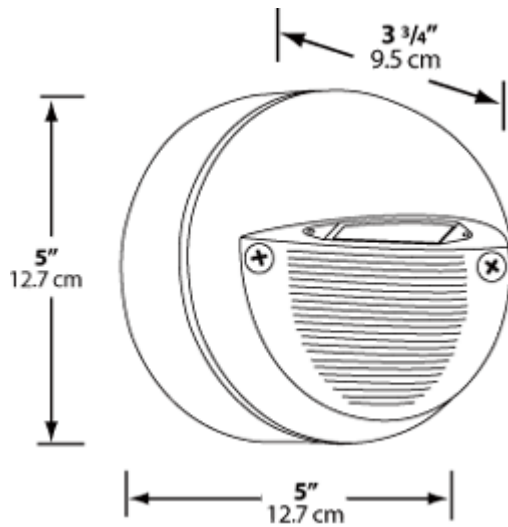
**Finish:**

Formulated for high durability and long-lasting color

**Green Technology:**

Mercury and UV free. RoHS-compliant components.

**Dimensions**



**Features**

- High performance LED light engine
- Maintains 70% of initial lumens at 100,000-hours
- Weatherproof high temperature silicone gaskets
- Superior heat sinking with die cast aluminum housing and external fins
- Replaces 13W CFL or 60W Incandescent
- 100 up to 240 Volts
- 5-Year, No-Compromise Warranty