

INSTRUCTIONS

WPLED® L FIELD-ADJUSTABLE WALL PACK INSTALLATION

RAB®

RAB Lighting is committed to creating high-quality, affordable, well-designed and energy-efficient LED lighting and controls that make it easy for electricians to install and end users to save energy. We'd love to hear your comments. Please call the Marketing Department at 888-RAB-1000 or email: marketing@rablighting.com



IMPORTANT

READ CAREFULLY BEFORE INSTALLING FIXTURE. RETAIN THESE INSTRUCTIONS FOR FUTURE REFERENCE.

RAB fixtures must be wired in accordance with the National Electrical Code and all applicable local codes. Proper grounding is required for safety. THIS PRODUCT MUST BE INSTALLED IN ACCORDANCE WITH THE APPLICABLE INSTALLATION CODE BY A PERSON FAMILIAR WITH THE CONSTRUCTION AND OPERATION OF THE PRODUCT AND THE HAZARDS INVOLVED.

WARNING: Make certain power is OFF before installing or maintaining fixture. No user serviceable parts inside.

CAUTION: For proper weatherproof function all gaskets must be seated properly and all screws inserted and tightened firmly. Apply weatherproof sealant between mounting surface and back of housing. This is especially important with an uneven wall surface. Silicone all plugs and unused conduit entries.

Suitable for outdoor applications.

Suitable for downlight ONLY.

WALL MOUNT

1. Separate the **Wall Mount Box Assembly** from fixture by loosening captive **Red Cleat Screw** (*Fig. 1*) and slide the fixture off the **Wall Mount Box**.
2. Loosen the captive **Red Door Screw** on the **Wall Mount Box** and open the door (*Fig. 2*).
3. Orient **Wall Mount Box** such that 'TOP' is pointing up (*Fig. 3*) and feed supply wires into the **Wall Mount Box**.
4. Secure **Wall Mount Box** to a sturdy mounting surface. Use appropriate mounting hardware (*by others*). A **Leveling Bubble** is provided (*Fig. 3*).
5. Silicone around the edge of **Wall Mount Box** and/or junction box where it meets the wall.
6. Set desired **Color Temperature (CCT)**, **Power (W)** and/or **Photocell ON/OFF** position (*see Field Adjustment instructions, Fig. 4 & 5*).
7. Feed fixture wires through door opening then slide fixture onto **Door Cleat** and secure the captive **Red Cleat Screw**.
8. Wire the fixture using UL listed wire connectors according to NEC and local codes (*Fig. 6*).
9. Close door and tighten **Red Door Screw**.

Fig: 1

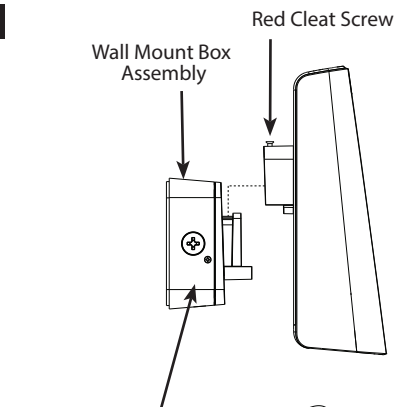


Fig: 2

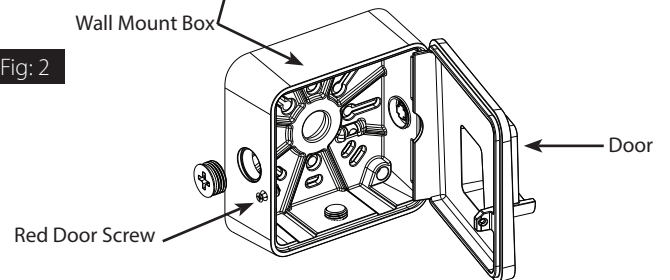
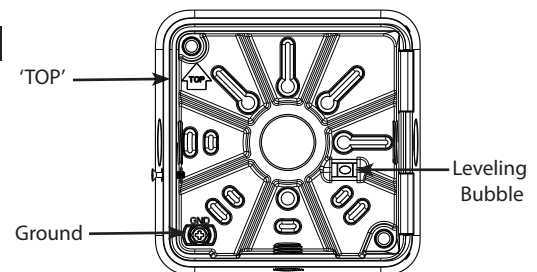


Fig: 3



INSTRUCTIONS

WPLED® L FIELD-ADJUSTABLE WALL PACK INSTALLATION



RAB Lighting is committed to creating high-quality, affordable, well-designed and energy-efficient LED lighting and controls that make it easy for electricians to install and end users to save energy. We'd love to hear your comments. Please call the Marketing Department at 888-RAB-1000 or email: marketing@rablighting.com

FIELD ADJUSTMENT

Photocell Operation:

This product is equipped with a photocell. **Photocell factory setting is set to the "OFF" position.** Should you wish to enable the Photocell "ON" feature slide the center switch to the "ON" position (Fig 6). **If the Photocell is set to the "ON" position and it is daylight it may take up to 60-seconds for the light to turn off.**

Color Temperature (CCT) Selection:

This product is equipped with 5000K, 4000K or 3000K CCT **Color Temperature** selection. For maximum light output use the 4000K **Color Temperature**.

Power (Wattage) Selection:

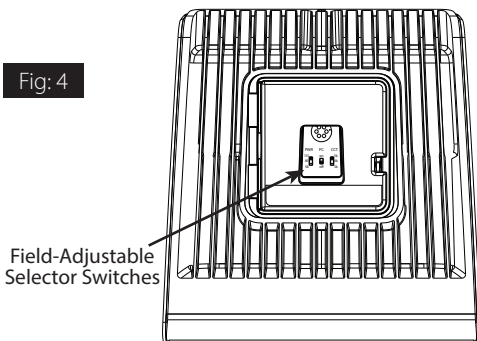
This product is equipped with 113/85/58W power output selection.

Follow instructions below to change **Color Temperature (CCT)**, **Power (W)** and/or **Photocell** operation from factory settings.

Factory Settings: 85W, 4000K CCT, Photocell/OFF.

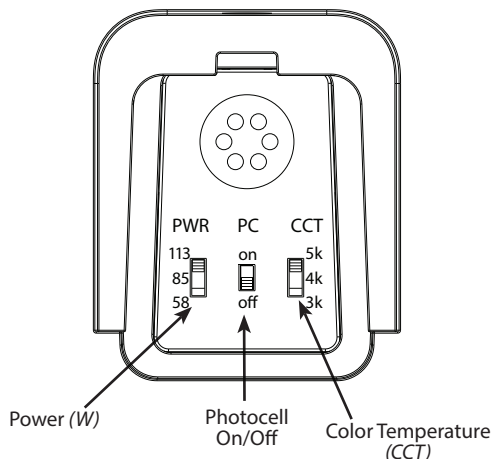
1. Locate the **Selector Switches** on back of housing as shown in Fig. 4.
2. Select **Color Temperature (CCT)**, **Power (W)** and/or **Photocell ON/OFF** function by sliding the respective switch to the desired value (Fig. 5).

Fig: 4



Field-Adjustable Selector Switches

Fig: 5



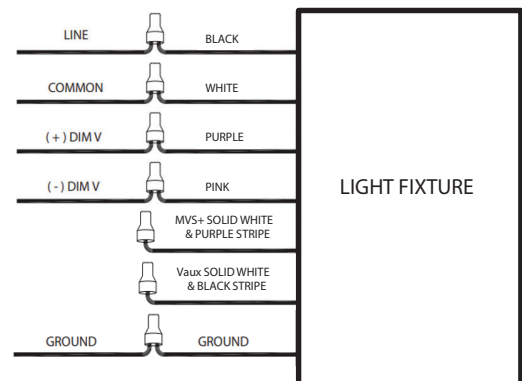
0-10V DIMMABLE WIRING

Universal voltage driver permits operation at 120V through 277V 50 or 60 Hz. For 0-10V dimming follow the wiring directions as shown in Fig. 6.

1. Connect the black fixture lead to the **LINE** supply lead.
2. Connect the white fixture lead to the **COMMON** supply lead.
3. Connect the **GROUND** wire from fixture to supply ground.
4. Connect the purple fixture lead to the (V+) DIM lead.
5. Connect the pink fixture lead to the (V-) DIM lead.
6. Cap the Purple/White and Black/White fixture leads. **DO NOT** connect.

NOTE: Do not connect DIM V+ (purple)/ DIM V- (pink) to line voltage or supply ground.

FIG. 6



INSTRUCTIONS

WPLED® L FIELD-ADJUSTABLE WALL PACK INSTALLATION



RAB Lighting is committed to creating high-quality, affordable, well-designed and energy-efficient LED lighting and controls that make it easy for electricians to install and end users to save energy. We'd love to hear your comments. Please call the Marketing Department at 888-RAB-1000 or email: marketing@rablighting.com

LCBS/MVS WIRING

Universal voltage driver permits operation at 120V through 277V 50 or 60 Hz. For **LCBS/MVS** wiring follow the wiring directions as shown in Fig. 7 & 8.

1. Connect the black fixture lead to the **LINE** supply lead.
2. Connect the white fixture lead to the **COMMON** supply lead.
3. Connect the **GROUND** wire from fixture to supply ground.
4. Connect the pink fixture lead to the pink **LCBS/MVS** lead.
5. Connect the purple/white **MVS+** fixture lead to the purple **LCBS/MVS** lead.
6. Connect the black/white fixture lead to the black/white **LCBS/MVS** lead.
7. Cap the purple fixture lead if present. **DO NOT** connect.

NOTE: Do not connect DIM V+ (purple)/ DIM V- (pink) to line voltage or supply ground.

Fig: 7

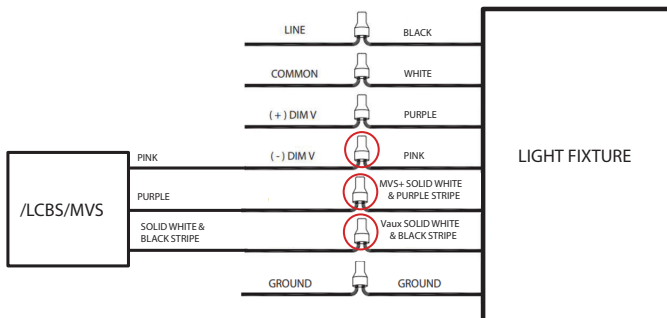
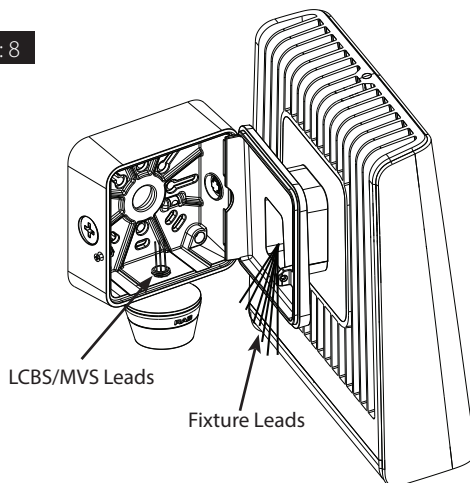


Fig: 8



CLEANING & MAINTENANCE

CAUTION: Be sure fixture temperature is cool enough to touch. Do not clean or maintain while fixture is energized.

1. Clean lens with non-abrasive glass cleaning solution.
2. Do not open the fixture to clean the LED. Do not touch the LED.

TROUBLESHOOTING

1. Check that the line voltage at the fixture is correct. Refer to wiring directions.
2. Is the fixture grounded properly?
3. Is the photocell, if used, functioning properly?

Note: These instructions do not cover all details or variations in equipment nor do they provide for every possible situation during installation, operation or maintenance.



© 2024 RAB LIGHTING INC.

Easy Answers

rablighting.com
Visit our website for product info

Tech Help Line
Call our experts: 888 722-1000

e-mail
Answered promptly - sales@rablighting.com

Free Lighting Layouts
Answered online or by request

WPLEDL - 0924
P-101033

RAB WARRANTY: RAB's warranty is subject to all terms and conditions found at rablighting.com/warranty.