



LED 80W Wall packs. 3 cutoff options. patent-pending thermal management system. 100,000 hour L70 lifespan. 5-year, no-compromise warranty. Includes built in support for Lightcloud, RAB's commercial wireless lighting control system. Lightcloud is a commercial wireless lighting control system and service fully developed and supported by RAB. It's powerful and flexible, yet easy to use and install.

Color: Bronze

Weight: 17.6 lbs

Project:	Type:
Prepared By:	Date:

Driver Info		LED Info	
Type	Constant Current	Watts	80W
120V	0.71A	Color Temp	4000K (Neutral)
208V	0.41A	Color Accuracy	76 CRI
240V	0.36A	L70 Lifespan	100,000 Hours
277V	0.31A	Lumens	9,725 lm
Input Watts	82.3W	Efficacy	118.2 lm/W

Technical Specifications

Lightcloud

Lightcloud Controller Installed:

Integrated/embedded networked lighting control, luminaire-level lighting control. Fixture, Zone, and plug-load control from one powerful device. LLLC - capable of switching, 0-10V dimming, power/energy monitoring. Can also be used to extend the range of the Lightcloud mesh network communication protocols. Offers the capability to set the maximum light output to a less-than-maximum state of an individual luminaire at the time of installation or commissioning. The High-End trim functionality is field reconfigurable via the Lightcloud mesh network communication protocols. The Lightcloud controller can be attached to the fixture, junction box, or electrical panel.

DLC system - NHCZ2BIA17L

[Learn more about Lightcloud.](#)

Compliance

UL Listed:

Suitable for wet locations

IP Rating:

Ingress protection rating of IP66 for dust and water

LED Characteristics

LEDs:

Two (2) multi-chip, high-output, long-life LEDs

Color Consistency:

3-step MacAdam Ellipse binning to achieve consistent fixture-to-fixture color

Color Stability:

LED color temperature is warrantied to shift no more than 200K in color temperature over a 5-year period

Color Uniformity:

RAB's range of Correlated Color Temperature follows the guidelines of the American National Standard for Specifications for the Chromaticity of Solid State Lighting (SSL) Products, ANSI C78.377.2011.

Performance

Lifespan:

100,000-Hour LED lifespan based on IES LM-80 results and TM-21 calculations

Wattage Equivalency:

Replaces 320W Metal Halide

Construction

Cold Weather Starting:

The minimum starting temperature is -40°C (-40°F)

Maximum Ambient Temperature:

Suitable for use in up to 40°C (104°F)

Thermal Management:

Superior thermal management with external "Air-Flow" fins

Housing:

Precision die-cast aluminum housing, lens frame

Mounting:

Die-cast aluminum wall bracket with (5) 1/2" conduit openings with plugs. Two-piece bracket with tether for ease of installation and wiring.

Arm:

Die-cast aluminum with wiring access plate

Cutoff:

Cutoff (7.5°)

Lens:

Tempered glass

Reflector:

Specular vacuum metallized polycarbonate

Gaskets:

High-temperature silicone gaskets, including a wiring plug gasket, seal out moisture

Finish:

Formulated for high durability and long-lasting color

Technical Specifications (continued)

Green Technology:

Mercury and UV free. RoHS-compliant components.

Electrical

Driver:

Constant Current, Class 2, 2000mA, 100-277V,
50-60Hz, 1.1A, Power Factor 99%

THD:

10.49% at 120V, 10.38% at 277V

Power Factor:

99.5% at 120V, 93.4% at 277V

Surge Protection:

4kV

Other

Replacement:

Replaces up to 400W Metal Halide

Patents:

The WPLED design is protected by patents in the U.S.
Pat D653,377, Canada Pat. 142252, China Pat.
ZL201130356930.8, and Mexico Pat. 36921 and
pending patent in TW.

Warranty:

RAB warrants that our LED products will be free from
defects in materials and workmanship for a period of
five (5) years from the date of delivery to the end
user, including coverage of light output, color
stability, driver performance and fixture finish. RAB's
warranty is subject to all terms and conditions found
at rablighting.com/warranty.

Buy American Act Compliance:

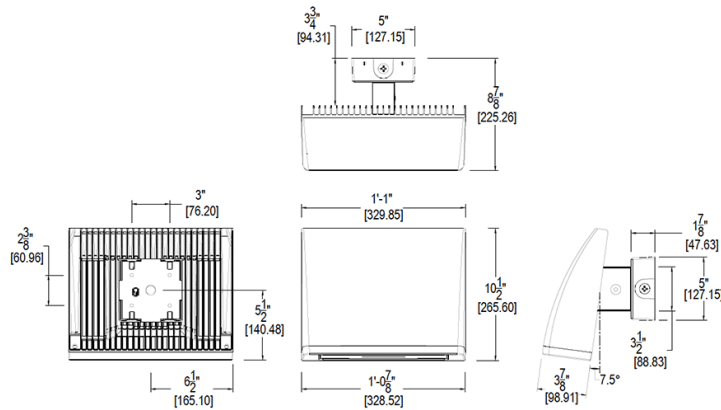
RAB values USA manufacturing! Upon request, RAB
may be able to manufacture this product to be
compliant with the Buy American Act (BAA). Please
contact customer service to request a quote for the
product to be made BAA compliant.

Optical

BUG Rating:

B1 U1 G1

Dimensions



Features

- High performance LED light engine
- Maintains 70% of initial lumens at 100,000-hours
- Weatherproof high temperature silicone gaskets
- Superior heat sinking with die cast aluminum housing and external fins
- Traditional wall pack look from the front
- 3 cutoff options
- 5-Year, No-Compromise Fixture Warranty and 10-Year, No-Compromise Lightcloud Warranty
- Built in support Lightcloud™
- Easy setup - simply power on, confirm device connectivity and call 844-LIGHTCLOUD

Ordering Matrix

Family	Cutoff	Wattage	Color Temp	Finish	Driver Options	Options	Other Options
WPLED	C	80	N		/D10	/LC	
	Blank = Standard (15 degrees) C = Cutoff (7.5 degrees) FC = Full Cutoff (0 degrees)	52 = 52W 80 = 80W	Blank = 5000K Cool N = 4000K Neutral Y = 3000K Warm	Blank = Bronze W = White	Blank = 120-277V /480 = 480V /BL = Bi-Level /D10 = 0-10V Dimming	Blank = No Option /PCS = 120V Swivel Photocell /PCS2 = 277V Swivel Photocell /PCS4 = 480V Swivel Photocell /LC = Lightcloud® Controller	USA = BAA Compliant Blank = Standard