

<b>Project:</b>	<b>Type:</b>
<b>Prepared By:</b>	<b>Date:</b>

Driver Info		LED Info	
Type	Constant Current	Watts	52W
120V	0.52A	Color Temp	5000K (Cool)
208V	0.37A	Color Accuracy	72 CRI
240V	0.32A	L70 Lifespan	100,000 Hours
277V	0.28A	Lumens	7,392 lm
Input Watts	57.9W	Efficacy	127.7 lm/W

**Technical Specifications**

**Lightcloud**

**Lightcloud Controller Installed:**

Integrated/embedded networked lighting control, luminaire-level lighting control. Fixture, Zone, and plug-load control from one powerful device. LLLC - capable of switching, 0-10V dimming, power/energy monitoring. Can also be used to extend the range of the Lightcloud mesh network communication protocols. Offers the capability to set the maximum light output to a less-than-maximum state of an individual luminaire at the time of installation or commissioning. The High-End trim functionality is field reconfigurable via the Lightcloud mesh network communication protocols. The Lightcloud controller can be attached to the fixture, junction box, or electrical panel.

DLC system - NHCZ2BIA17L  
[Learn more about Lightcloud.](#)

**Compliance**

**UL Listed:**

Suitable for wet locations

**DLC Listed:**

This product is listed by Design Lights Consortium (DLC) as an ultra-efficient premium product that qualifies for the highest tier of rebates from DLC Member Utilities. Designed to meet DLC 5.1 requirements.  
 DLC Product Code: P0000173W

**LED Characteristics**

**LEDs:**

Two (2) multi-chip, high-output, long-life LEDs

**Color Consistency:**

7-step MacAdam Ellipse binning to achieve consistent fixture-to-fixture color

**Color Stability:**

LED color temperature is warrantied to shift no more than 200K in color temperature over a 5-year period

**Color Uniformity:**

RAB's range of Correlated Color Temperature follows the guidelines of the American National Standard for Specifications for the Chromaticity of Solid State Lighting (SSL) Products, ANSI C78.377.2011.

**Performance**

**Lifespan:**

100,000-Hour LED lifespan based on IES LM-52 results and TM-21 calculations

**Wattage Equivalency:**

Equivalent to 250W Metal Halide

**Construction**

**Cold Weather Starting:**

The minimum starting temperature is -40°C (-40°F)

**Maximum Ambient Temperature:**

Suitable for use in up to 40°C (104°F)

**Thermal Management:**

Superior thermal management with external "Air-Flow" fins

**Housing:**

Precision die-cast aluminum housing, lens frame

**Mounting:**

Die-cast aluminum wall bracket with (5) 1/2" conduit openings with plugs. Two-piece bracket with tether for ease of installation and wiring.

**Arm:**

Die-cast aluminum with wiring access plate

**Lens:**

Tempered glass

**Reflector:**

Specular vacuum metallized polycarbonate

**Gaskets:**

High-temperature silicone gaskets, including a wiring plug gasket, seal out moisture

**Finish:**

Formulated for high durability and long-lasting color

## Technical Specifications (continued)

### Green Technology:

Mercury and UV free. RoHS-compliant components.

### Electrical

---

#### Driver:

Constant Current, Class 2, 2000mA, 100-277V,  
50-60Hz, 1.1A, Power Factor 99%

#### THD:

7.64% at 120V, 5.72% at 277V

#### Power Factor:

99.1% at 120V, 97.5% at 277V

#### Surge Protection:

6kV

### Other

---

#### Patents:

The WPLED design is protected by patents in the U.S.  
Pat D653,377, Canada Pat. 142252, China Pat.  
ZL201130356930.8, and Mexico Pat. 36921 and  
pending patent in TW.

#### Warranty:

RAB warrants that our LED products will be free from defects in materials and workmanship for a period of five (5) years from the date of delivery to the end user, including coverage of light output, color stability, driver performance and fixture finish. RAB's warranty is subject to all terms and conditions found at [rablighting.com/warranty](http://rablighting.com/warranty).

#### Buy American Act Compliance:

RAB values USA manufacturing! Upon request, RAB may be able to manufacture this product to be compliant with the Buy American Act (BAA). Please contact customer service to request a quote for the product to be made BAA compliant.

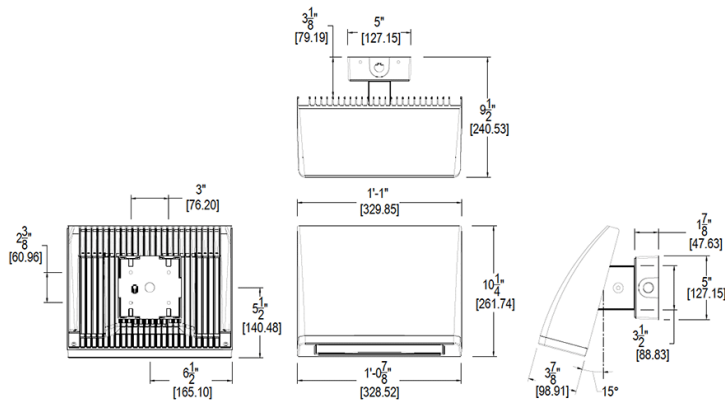
### Optical

---

#### BUG Rating:

B0 U2 G3

Dimensions



Features

- High performance LED light engine
- Maintains 70% of initial lumens at 100,000-hours
- Weatherproof high temperature silicone gaskets
- Superior heat sinking with die cast aluminum housing and external fins
- Replaces 250W MH
- Traditional wall pack look from the front
- 3 cutoff options
- 5-Year, No-Compromise Fixture Warranty and 10-Year, No-Compromise Lightcloud Warranty
- Built in support Lightcloud™
- Easy setup - simply power on, confirm device connectivity and call 844-LIGHTCLOUD

Ordering Matrix

Family	Cutoff	Wattage	Color Temp	Finish	Driver Options	Options	Other Options
WPLED		52		W	/D10	/LC	
	Blank = Standard (15 degrees) C = Cutoff (7.5 degrees) FC = Full Cutoff (0 degrees)	52 = 52W 80 = 80W	Blank = 5000K Cool N = 4000K Neutral Y = 3000K Warm	Blank = Bronze W = White	Blank = 120-277V /480 = 480V /BL = Bi-Level /D10 = 0-10V Dimming	Blank = No Option /LC = Lightcloud® Controller /PCS = 120V Swivel Photocell /PCS2 = 277V Swivel Photocell /PCS4 = 480V Swivel Photocell	USA = BAA Compliant Blank = Standard