



<b>Project:</b>	<b>Type:</b>
<b>Prepared By:</b>	<b>Date:</b>

Driver Info		LED Info	
Type	Constant Current	Watts	52W
120V	N/A	Color Temp	4000K (Neutral)
208V	N/A	Color Accuracy	75 CRI
240V	N/A	L70 Lifespan	100,000 Hours
277V	N/A	Lumens	7,378 lm
Input Watts	58W	Efficacy	127.2

**Technical Specifications**

**Compliance**

**UL Listed:**

Suitable for wet locations

**DLC Listed:**

This product is listed by Design Lights Consortium (DLC) as an ultra-efficient premium product that qualifies for the highest tier of rebates from DLC Member Utilities. Designed to meet DLC 5.1 requirements.

DLC Product Code: P7X12SJT

**LED Characteristics**

**LEDs:**

Two (2) multi-chip, high-output, long-life LEDs

**Color Consistency:**

3-step MacAdam Ellipse binning to achieve consistent fixture-to-fixture color

**Color Stability:**

LED color temperature is warrantied to shift no more than 200K in color temperature over a 5-year period

**Color Uniformity:**

RAB's range of Correlated Color Temperature follows the guidelines of the American National Standard for Specifications for the Chromaticity of Solid State Lighting (SSL) Products, ANSI C78.377.2011.

**Electrical**

**Driver:**

Constant Current, Class 2, 480V, 50-60Hz, 480V: 0.34A

**Dimming Driver:**

Driver includes dimming control wiring for 0-10V dimming systems. Requires separate 0-10V DC dimming circuit. Dims down to 10%.

**THD:**

13.94% at 480V

**Power Factor:**

91.8% at 480V

**Surge Protection:**

6kV

**Performance**

**Lifespan:**

100,000-Hour LED lifespan based on IES LM-52 results and TM-21 calculations

**Wattage Equivalency:**

Equivalent to 250W Metal Halide

**Construction**

**Cold Weather Starting:**

The minimum starting temperature is -40°C (-40°F)

**Maximum Ambient Temperature:**

Suitable for use in up to 40°C (104°F)

**Thermal Management:**

Superior thermal management with external "Air-Flow" fins

**Housing:**

Precision die-cast aluminum housing, lens frame

**Mounting:**

Die-cast aluminum wall bracket with (5) 1/2" conduit openings with plugs. Two-piece bracket with tether for ease of installation and wiring.

**Arm:**

Die-cast aluminum with wiring access plate

**Lens:**

Tempered glass

**Reflector:**

Specular vacuum metallized polycarbonate

**Gaskets:**

High-temperature silicone gaskets, including a wiring plug gasket, seal out moisture

**Finish:**

Formulated for high durability and long-lasting color

## Technical Specifications (continued)

### Green Technology:

Mercury and UV free. RoHS-compliant components.

### Other

#### Patents:

The WPLED design is protected by patents in the U.S. Pat D653,377, Canada Pat. 142252, China Pat. ZL201130356930.8, and Mexico Pat. 36921 and pending patent in TW.

#### Warranty:

RAB warrants that our LED products will be free from defects in materials and workmanship for a period of five (5) years from the date of delivery to the end user, including coverage of light output, color stability, driver performance and fixture finish. RAB's warranty is subject to all terms and conditions found at [rablighting.com/warranty](http://rablighting.com/warranty).

#### Buy American Act Compliance:

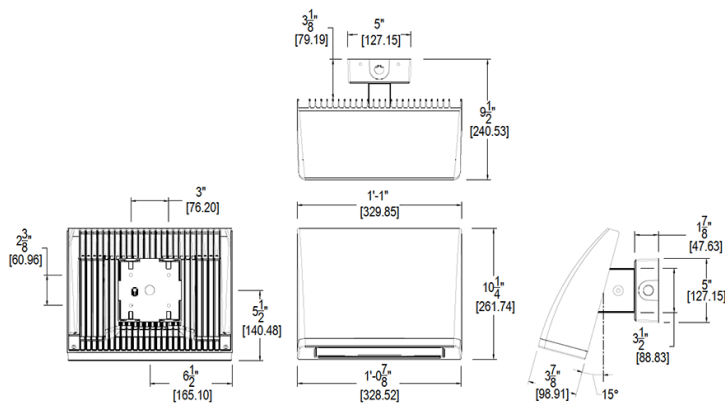
RAB values USA manufacturing! Upon request, RAB may be able to manufacture this product to be compliant with the Buy American Act (BAA). Please contact customer service to request a quote for the product to be made BAA compliant.

### Optical

#### BUG Rating:

B1 U1 G3

## Dimensions



## Features

- High performance LED light engine
- Maintains 70% of initial lumens at 100,000-hours
- Weatherproof high temperature silicone gaskets
- Superior heat sinking with die cast aluminum housing and external fins
- Replaces 250W MH
- Traditional wall pack look from the front
- 3 cutoff options
- 5-Year, No-Compromise Warranty

## Ordering Matrix

Family	Cutoff	Wattage	Color Temp	Finish	Driver Options	Options	Other Options
WPLED		52	N	W	/480		
	<b>Blank</b> = Standard (15 degrees) <b>C</b> = Cutoff (7.5 degrees) <b>FC</b> = Full Cutoff (0 degrees)	<b>52</b> = 52W <b>80</b> = 80W	<b>Blank</b> = 5000K Cool <b>N</b> = 4000K Neutral <b>Y</b> = 3000K Warm	<b>Blank</b> = Bronze <b>W</b> = White	<b>Blank</b> = 120-277V <b>/480</b> = 480V <b>/BL</b> = Bi-Level <b>/D10</b> = 0-10V Dimming	<b>Blank</b> = No Option <b>/PCS</b> = 120V Swivel Photocell <b>/PCS2</b> = 277V Swivel Photocell <b>/PCS4</b> = 480V Swivel Photocell <b>/LC</b> = Lightcloud® Controller	<b>Blank</b> = Standard <b>USA</b> = BAA Compliant