



Color: Bronze

Weight: 34.8 lbs

Project:	Type:
Prepared By:	Date:

Driver Info		LED Info	
Type	Constant Current	Watts	150W
120V	N/A	Color Temp	5000K (Cool)
208V	0.80A	Color Accuracy	71 CRI
240V	0.69A	L70 Lifespan	100,000 Hours
277V	0.60A	Lumens	18,464 lm
Input Watts	155.8W	Efficacy	118.5 lm/W

Technical Specifications

Electrical

Driver:

One Driver, Constant Current, Class 2, 2100mA
100-277V, 50-60Hz, Power Factor 99%

THD:

4.7% at 120V, 13.3% at 277V

Photocell:

277V Swivel photocell included. Photocell is compatible with 208V-277V.

Compliance

DLC Listed:

This product is on the Design Lights Consortium (DLC) Qualified Products List and is eligible for rebates from DLC Member Utilities. DLC Product Code: P0000174K

UL Listed:

Suitable for wet locations

IP Rating:

Ingress protection rating of IP66 for dust and water

Performance

Lifespan:

100,000-Hour LED lifespan based on IES LM-80 results and TM-21 calculations

Wattage Equivalency:

Equivalent to 750W Metal Halide

Construction

IES Classification:

The Type IV distribution (also known as a Forward Throw) is especially suited for mounting on the sides of buildings and walls, and for illuminating the perimeter of parking areas. It produces a semicircular distribution with essentially the same candlepower at lateral angles from 90° to 270°.

Maximum Ambient Temperature:

Suitable for use in up to 40°C (104°F)

Cold Weather Starting:

The minimum starting temperature is -40°C (-40°F)

Thermal Management:

Superior thermal management with external "Air-Flow" fins

Housing:

Die-cast aluminum housing, lens frame and mounting arm

Mounting:

Heavy-duty 1/2" thread mounting arm with "O" ring seal & stainless steel screws

Reflector:

Specular vacuum-metallized polycarbonate

Gaskets:

High-temperature silicone gaskets

Finish:

Formulated for high durability and long-lasting color

Green Technology:

Mercury and UV free. RoHS-compliant components.

LED Characteristics

LEDs:

Multi-chip, high-output, long-life LEDs

Color Consistency:

7-step MacAdam Ellipse binning to achieve consistent fixture-to-fixture color

Color Stability:

LED color temperature is warranted to shift no more than 200K in color temperature over a 5-year period

Color Uniformity:

RAB's range of Correlated Color Temperature follows the guidelines of the American National Standard for Specifications for the Chromaticity of Solid State Lighting (SSL) Products, ANSI C78.377-2017.

Technical Specifications (continued)

Other

Warranty:

RAB warrants that our LED products will be free from defects in materials and workmanship for a period of five (5) years from the date of delivery to the end user, including coverage of light output, color stability, driver performance and fixture finish. RAB's warranty is subject to all terms and conditions found at rablighting.com/warranty.

Patents:

The design of WPLED150 is protected by patents pending in US, Canada, China, Taiwan and Mexico

Buy American Act Compliance:

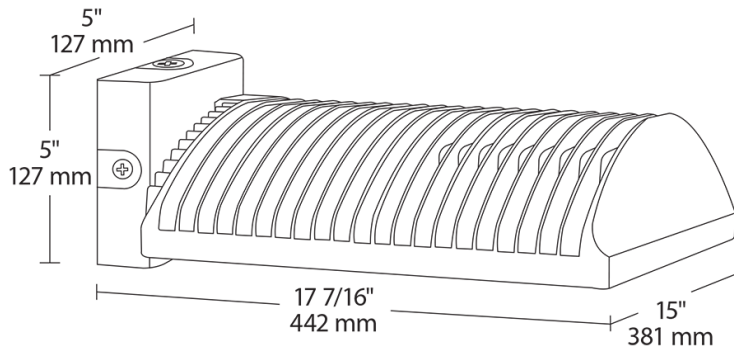
RAB values USA manufacturing! Upon request, RAB may be able to manufacture this product to be compliant with the Buy American Act (BAA). Please contact customer service to request a quote for the product to be made BAA compliant.

Optical

BUG Rating:

B1 U0 G3

Dimensions



Features

- High performance LED light engine
- Maintains 70% of initial lumens at 100,000-hours
- Weatherproof high temperature silicone gaskets
- Superior heat sinking with die cast aluminum housing and external fins
- Replaces 400W MH
- 100 up to 277 Volts
- 5-Year, No-Compromise Warranty

Ordering Matrix

Family	Optics	Wattage	Color Temp	Mounting	Finish	Driver Options	Other Options
WPLED	4T	150		FX			/PCS2
	4T = Type IV 3T = Type III 2T = Type II	50 = 50W 78 = 78W 105 = 105W 125 = 125W 150 = 150W	Blank = 5000K Cool N = 4000K Neutral Y = 3000K Warm	Blank = Arm FX = Flat Mount	Blank = Bronze W = White	Blank = Standard /480 = 480V /BL = Bi-Level /D10 = 0-10V Dimming /480/D10 = 480V 0-10V Dimming	Blank = Standard /PC = 120V Photocell /PC2 = 277V Photocell /PCT = 120-277V Twistlock Photocell /PCT4 = 480V Twistlock Photocell /PCS = 120V Swivel Photocell /PCS2 = 277V Swivel Photocell /PCS4 = 480V Swivel Photocell /WS = Multi-Level Motion Sensor /WS2 = Multi-Level Motion Sensor (20 ft mt. ht.) /WS4 = Multi-Level Motion Sensor (40 ft mt. ht.) /LC = Lightcloud® Controller