



<b>Project:</b>	<b>Type:</b>
<b>Prepared By:</b>	<b>Date:</b>

Driver Info		LED Info	
Type	Constant Current	Watts	125W
120V	1.12A	Color Temp	5000K (Cool)
208V	0.70A	Color Accuracy	70 CRI
240V	0.61A	L70 Lifespan	10,000 Hours
277V	0.52A	Lumens	16,328 lm
Input Watts	134.8W	Efficacy	121.1 lm/W

**Technical Specifications**

**Lightcloud**

**Lightcloud Controller Installed:**

Fixture, Zone, and plug-load control from one powerful device. Capable of switching, 0-10V dimming, power monitoring. Can also be used to extend the range of the Lightcloud mesh network. Attach to fixture, junction box, or electrical panel. [Learn more about Lightcloud.](#)

**Electrical**

**Dimming Driver:**

Driver includes dimming control wiring for 0-10V dimming systems. Requires separate 0-10V DC dimming circuit. Dims down to 10%.

**THD:**

5.3% at 120V, 15.4% at 277V

**Compliance**

**UL Listed:**

Suitable for wet locations

**IP Rating:**

Ingress protection rating of IP66 for dust and water

**Performance**

**Lifespan:**

100,000-Hour LED lifespan based on IES LM-80 results and TM-21 calculations

**Wattage Equivalency:**

Equivalent to 750W Metal Halide

**Construction**

**IES Classification:**

The Type IV distribution (also known as a Forward Throw) is especially suited for mounting on the sides of buildings and walls, and for illuminating the perimeter of parking areas. It produces a semicircular distribution with essentially the same candlepower at lateral angles from 90° to 270°.

**Maximum Ambient Temperature:**

Suitable for use in up to 40°C (104°F)

**Cold Weather Starting:**

The minimum starting temperature is -40°C (-40°F)

**Thermal Management:**

Superior thermal management with external "Air-Flow" fins

**Housing:**

Die-cast aluminum housing, lens frame and mounting arm

**Mounting:**

Heavy-duty 1/2" thread mounting arm with "O" ring seal & stainless steel screws

**Reflector:**

Specular vacuum-metallized polycarbonate

**Gaskets:**

High-temperature silicone gaskets

**Finish:**

Formulated for high durability and long-lasting color

**Green Technology:**

Mercury and UV free. RoHS-compliant components.

**LED Characteristics**

**LEDs:**

Multi-chip, high-output, long-life LEDs

**Color Consistency:**

7-step MacAdam Ellipse binning to achieve consistent fixture-to-fixture color

**Color Stability:**

LED color temperature is warranted to shift no more than 200K in color temperature over a 5-year period

**Color Uniformity:**

RAB's range of Correlated Color Temperature follows the guidelines of the American National Standard for Specifications for the Chromaticity of Solid State Lighting (SSL) Products, ANSI C78.377-2017.

## Technical Specifications (continued)

### Other

#### Warranty:

RAB warrants that our LED products will be free from defects in materials and workmanship for a period of five (5) years from the date of delivery to the end user, including coverage of light output, color stability, driver performance and fixture finish. RAB's warranty is subject to all terms and conditions found at [rablighting.com/warranty](http://rablighting.com/warranty).

#### Patents:

The design of WPLED125 is protected by patents pending in US, Canada, China, Taiwan and Mexico

#### Buy American Act Compliance:

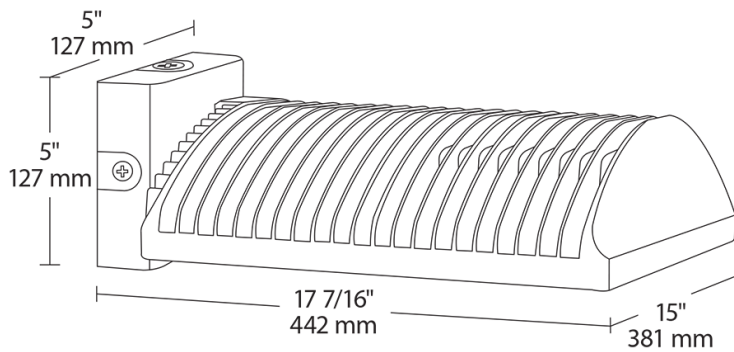
RAB values USA manufacturing! Upon request, RAB may be able to manufacture this product to be compliant with the Buy American Act (BAA). Please contact customer service to request a quote for the product to be made BAA compliant.

### Optical

#### BUG Rating:

B1 U0 G2

### Dimensions



### Features

- High performance LED light engine
- Maintains 70% of initial lumens at 100,000-hours
- Weatherproof high temperature silicone gaskets
- Superior heat sinking with die cast aluminum housing and external fins
- Replaces 400W MH
- 100 up to 277 Volts
- 5-Year, No-Compromise Fixture Warranty and 10-Year, No-Compromise Lightcloud Warranty

## Ordering Matrix

Family	Optics	Wattage	Color Temp	Mounting	Finish	Driver Options	Other Options
WPLED	4T	125		FX	W	/D10	/LC
	4T = Type IV 3T = Type III 2T = Type II	50 = 50W 78 = 78W 105 = 105W 125 = 125W 150 = 150W	Blank = 5000K Cool N = 4000K Neutral Y = 3000K Warm	Blank = Arm FX = Flat Mount	Blank = Bronze W = White	Blank = Standard /480 = 480V /BL = Bi-Level /D10 = 0-10V Dimming /480/D10 = 480V 0-10V Dimming	Blank = Standard /PC = 120V Photocell /PC2 = 277V Photocell /PCT = 120-277V Twistlock Photocell /PCT4 = 480V Twistlock Photocell /PCS = 120V Swivel Photocell /PCS2 = 277V Swivel Photocell /PCS4 = 480V Swivel Photocell /WS2 = Multi-Level Motion Sensor (20 ft mt. ht.) /WS4 = Multi-Level Motion Sensor (40 ft mt. ht.) /LC = Lightcloud® Controller