



Project:	Type:
Prepared By:	Date:

Driver Info		LED Info	
Type	Constant Current	Watts	78W
120V	0.66A	Color Temp	4000K (Neutral)
208V	0.41A	Color Accuracy	72 CRI
240V	0.41A	L70 Lifespan	10,000 Hours
277V	0.30A	Lumens	8,941 lm
Input Watts	75.9W	Efficacy	117.8 lm/W

Technical Specifications

Lightcloud

Lightcloud Controller Installed:

Fixture, Zone, and plug-load control from one powerful device. Capable of switching, 0-10V dimming, power monitoring. Can also be used to extend the range of the Lightcloud mesh network. Attach to fixture, junction box, or electrical panel. [Learn more about Lightcloud.](#)

Electrical

Dimming Driver:

Driver includes dimming control wiring for 0-10V dimming systems. Requires separate 0-10V DC dimming circuit. Dims down to 10%.

THD:

5.2% at 120V, 13.6% at 277V

Surge Protection:

6kV

Compliance

UL Listed:

Suitable for wet locations as a downlight

IP Rating:

Ingress protection rating of IP66 for dust and water

IESNA LM-79 & lm-80 Testing:

RAB LED luminaires and LED components have been tested by an independent laboratory in accordance with IESNA lm-79 and lm-80

Performance

Lifespan:

100,000-Hour LED lifespan based on IES LM-80 results and TM-21 calculations

Optical

Specification Grade Optics:

The Type III distribution is ideal for roadway, general parking, and other area lighting applications where a larger pool of lighting is required. It is intended to be located near the side of the area, allowing the light to project outward and fill the area.

BUG Rating:

B1 U0 G2

LED Characteristics

LEDs:

Six (6) multi-chip, 13W, high-output, long-life LEDs

Color Consistency:

3-step MacAdam Ellipse binning to achieve consistent fixture-to-fixture color

Color Stability:

LED color temperature is warranted to shift no more than 200K in color temperature over a 5-year period

Color Uniformity:

RAB's range of Correlated Color Temperature follows the guidelines of the American National Standard for Specifications for the Chromaticity of Solid State Lighting (SSL) Products, ANSI C78.377-2017.

Construction

Ambient Temperature:

Suitable for use in up to 40°C (104°F)

Cold Weather Starting:

The minimum starting temperature is -40°C (-40°F)

Thermal Management:

Superior heat sinking with external Air-Flow fins

Housing:

Die-cast aluminum housing, lens frame and mounting arm

Reflector:

Specular vacuum-metallized polycarbonate

Gaskets:

High-temperature silicone gaskets

Technical Specifications (continued)

Finish:

Formulated for high durability and long-lasting color

Green Technology:

Mercury and UV free. RoHS-compliant components.

Other

Warranty:

RAB warrants that our LED products will be free from defects in materials and workmanship for a period of five (5) years from the date of delivery to the end user, including coverage of light output, color stability, driver performance and fixture finish. RAB's warranty is subject to all terms and conditions found at rablighting.com/warranty.

Patents:

The WPLED design is protected by patents pending in the U.S., Canada, China, Taiwan and Mexico.

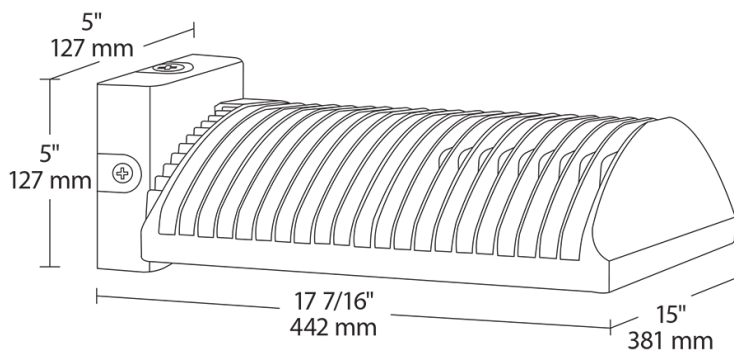
Replacement:

Replaces 400W Metal Halide

Buy American Act Compliance:

RAB values USA manufacturing! Upon request, RAB may be able to manufacture this product to be compliant with the Buy American Act (BAA). Please contact customer service to request a quote for the product to be made BAA compliant.

Dimensions



Features

- High performance LED light engine
- Maintains 70% of initial lumens at 100,000-hours
- Weatherproof high temperature silicone gaskets
- Superior heat sinking with die cast aluminum housing and external fins
- Replaces 400W MH
- 100 up to 277 Volts
- 5-Year, No-Compromise Fixture Warranty and 10-Year, No-Compromise Lightcloud Warranty

Ordering Matrix

Family	Optics	Wattage	Color Temp	Mounting	Finish	Driver Options	Other Options
WPLED	3T	78	N	FX	W	/D10	/LC
	4T = Type IV 3T = Type III 2T = Type II	50 = 50W 78 = 78W 105 = 105W 125 = 125W 150 = 150W	Blank = 5000K Cool N = 4000K Neutral Y = 3000K Warm	Blank = Arm FX = Flat Mount	Blank = Bronze W = White	Blank = Standard /480 = 480V /BL = Bi-Level /D10 = 0-10V Dimming /480/D10 = 480V 0-10V Dimming	Blank = Standard /PC = 120V Photocell /PC2 = 277V Photocell /PCT = 120-277V Twistlock Photocell /PCT4 = 480V Twistlock Photocell /PCS = 120V Swivel Photocell /PCS2 = 277V Swivel Photocell /PCS4 = 480V Swivel Photocell /WS2 = Multi-Level Motion Sensor (20 ft mt. ht.) /WS4 = Multi-Level Motion Sensor (40 ft mt. ht.) /LC = Lightcloud® Controller