



Color: Bronze

Weight: 34.7 lbs

<b>Project:</b>	<b>Type:</b>
<b>Prepared By:</b>	<b>Date:</b>

Driver Info		LED Info	
Type	Constant Current	Watts	78W
120V	0.66A	Color Temp	5000K (Cool)
208V	0.41A	Color Accuracy	71 CRI
240V	0.35A	L70 Lifespan	100,000 Hours
277V	0.30A	Lumens	9,263 lm
Input Watts	76.8W	Efficacy	120.6 lm/W

**Technical Specifications**

**Compliance**

**UL Listed:**

Suitable for wet locations as a downlight

**DLC Listed:**

This product is on the Design Lights Consortium (DLC) Qualified Products List and is eligible for rebates from DLC Member Utilities. DLC Product Code: P000017AJ

**IP Rating:**

Ingress protection rating of IP66 for dust and water

**IESNA LM-79 & lm-80 Testing:**

RAB LED luminaires and LED components have been tested by an independent laboratory in accordance with IESNA lm-79 and lm-80

**Performance**

**Lifespan:**

100,000-Hour LED lifespan based on IES LM-80 results and TM-21 calculations

**Optical**

**Specification Grade Optics:**

The Type III distribution is ideal for roadway, general parking, and other area lighting applications where a larger pool of lighting is required. It is intended to be located near the side of the area, allowing the light to project outward and fill the area.

**BUG Rating:**

B1 U0 G2

**LED Characteristics**

**LEDs:**

Six (6) multi-chip, 13W, high-output, long-life LEDs

**Color Consistency:**

3-step MacAdam Ellipse binning to achieve consistent fixture-to-fixture color

**Color Stability:**

LED color temperature is warranted to shift no more than 200K in color temperature over a 5-year period

**Color Uniformity:**

RAB's range of Correlated Color Temperature follows the guidelines of the American National Standard for Specifications for the Chromaticity of Solid State Lighting (SSL) Products, ANSI C78.377-2017.

**Electrical**

**Driver:**

Constant Current, Class 2, 2000mA, 100-277V, 50-60Hz, 1.1A, Power Factor 99%

**THD:**

5.3% at 120V, 13.3% at 277V

**Surge Protection:**

6kV

**Photocell:**

120V Swivel photocell included. Photocell is only compatible with 120V.

**Construction**

**Ambient Temperature:**

Suitable for use in up to 40°C (104°F)

**Cold Weather Starting:**

The minimum starting temperature is -40°C (-40°F)

**Thermal Management:**

Superior heat sinking with external Air-Flow fins

**Housing:**

Die-cast aluminum housing, lens frame and mounting arm

## Technical Specifications (continued)

### Reflector:

Specular vacuum-metallized polycarbonate

### Gaskets:

High-temperature silicone gaskets

### Finish:

Formulated for high durability and long-lasting color

### Green Technology:

Mercury and UV free. RoHS-compliant components.

### Other

#### Replacement:

Replaces 400W Metal Halide

#### Warranty:

RAB warrants that our LED products will be free from defects in materials and workmanship for a period of five (5) years from the date of delivery to the end user, including coverage of light output, color stability, driver performance and fixture finish. RAB's warranty is subject to all terms and conditions found at [rablighting.com/warranty](http://rablighting.com/warranty).

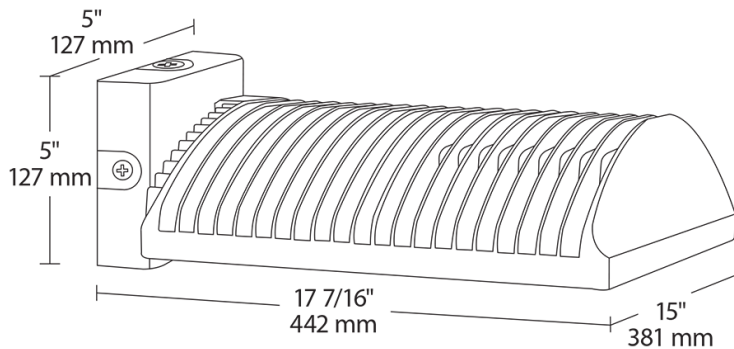
#### Patents:

The WPLED design is protected by patents pending in the U.S., Canada, China, Taiwan and Mexico.

#### Buy American Act Compliance:

RAB values USA manufacturing! Upon request, RAB may be able to manufacture this product to be compliant with the Buy American Act (BAA). Please contact customer service to request a quote for the product to be made BAA compliant.

## Dimensions



## Features

- High performance LED light engine
- Maintains 70% of initial lumens at 100,000-hours
- Weatherproof high temperature silicone gaskets
- Superior heat sinking with die cast aluminum housing and external fins
- Replaces 400W MH
- 100 up to 277 Volts
- 5-Year, No-Compromise Warranty

## Ordering Matrix

Family	Optics	Wattage	Color Temp	Mounting	Finish	Driver Options	Other Options
WPLED	3T	78		FX			/PCS
	4T = Type IV 3T = Type III 2T = Type II	50 = 50W 78 = 78W 105 = 105W 125 = 125W 150 = 150W	Blank = 5000K Cool N = 4000K Neutral Y = 3000K Warm	Blank = Arm FX = Flat Mount	Blank = Bronze W = White	Blank = Standard /480 = 480V /BL = Bi-Level /D10 = 0-10V Dimming /480/D10 = 480V 0-10V Dimming	Blank = Standard /PC = 120V Photocell /PC2 = 277V Photocell /PCT = 120-277V Twistlock Photocell /PCT4 = 480V Twistlock Photocell /PCS = 120V Swivel Photocell /PCS2 = 277V Swivel Photocell /PCS4 = 480V Swivel Photocell /WS = Multi-Level Motion Sensor /WS2 = Multi-Level Motion Sensor (20 ft mt. ht.) /WS4 = Multi-Level Motion Sensor (40 ft mt. ht.) /LC = Lightcloud® Controller