



Color: Bronze

Weight: 34.8 lbs

Project:

Type:

Prepared By:

Date:

### Driver Info

|             |                  |
|-------------|------------------|
| Type        | Constant Current |
| 120V        | 0.66A            |
| 208V        | 0.41A            |
| 240V        | 0.41A            |
| 277V        | 0.30A            |
| Input Watts | 77.9W            |

### LED Info

|                |               |
|----------------|---------------|
| Watts          | 78W           |
| Color Temp     | 5000K (Cool)  |
| Color Accuracy | 71 CRI        |
| L70 Lifespan   | 100,000 Hours |
| Lumens         | 9,552 lm      |
| Efficacy       | 122.6 lm/W    |

## Technical Specifications

### Electrical

#### Dimming Driver:

Driver includes dimming control wiring for 0-10V dimming systems. Requires separate 0-10V DC dimming circuit. Dims down to 10%.

#### THD:

5.0% at 120V, 12.3% at 277V

#### Surge Protection:

6kV

### Compliance

#### DLC Listed:

This product is on the Design Lights Consortium (DLC) Qualified Products List and is eligible for rebates from DLC Member Utilities. DLC Product Code: PN3C8VH9

#### UL Listed:

Suitable for wet locations as a downlight

#### IP Rating:

Ingress protection rating of IP66 for dust and water

#### IESNA LM-79 & lm-80 Testing:

RAB LED luminaires and LED components have been tested by an independent laboratory in accordance with IESNA lm-79 and lm-80

### Performance

#### Lifespan:

100,000-Hour LED lifespan based on IES LM-80 results and TM-21 calculations

### Optical

#### Specification Grade Optics:

The Type II distribution is ideal for wide walkways, on ramps and entrance roadways, bike paths and other long and narrow lighting applications. This type is meant for lighting larger areas and usually is located near the roadside. This type of lighting is commonly found on smaller side streets or jogging paths.

#### BUG Rating:

B1 U0 G2

### LED Characteristics

#### LEDs:

Six (6) multi-chip, 13W, high-output, long-life LEDs

#### Color Consistency:

3-step MacAdam Ellipse binning to achieve consistent fixture-to-fixture color

#### Color Stability:

LED color temperature is warranted to shift no more than 200K in color temperature over a 5-year period

### Color Uniformity:

RAB's range of Correlated Color Temperature follows the guidelines of the American National Standard for Specifications for the Chromaticity of Solid State Lighting (SSL) Products, ANSI C78.377-2017.

### Construction

#### Ambient Temperature:

Suitable for use in up to 40°C (104°F)

#### Cold Weather Starting:

The minimum starting temperature is -40°C (-40°F)

#### Thermal Management:

Superior heat sinking with external Air-Flow fins

#### Housing:

Die-cast aluminum housing, lens frame and mounting arm

#### Reflector:

Specular vacuum-metallized polycarbonate

#### Gaskets:

High-temperature silicone gaskets

#### Finish:

Formulated for high durability and long-lasting color

## Technical Specifications (continued)

### Green Technology:

Mercury and UV free. RoHS-compliant components.

### Other

#### Warranty:

RAB warrants that our LED products will be free from defects in materials and workmanship for a period of five (5) years from the date of delivery to the end user, including coverage of light output, color stability, driver performance and fixture finish. RAB's warranty is subject to all terms and conditions found at [rablighting.com/warranty](http://rablighting.com/warranty).

#### Patents:

The WPLED design is protected by patents pending in the U.S., Canada, China, Taiwan and Mexico.

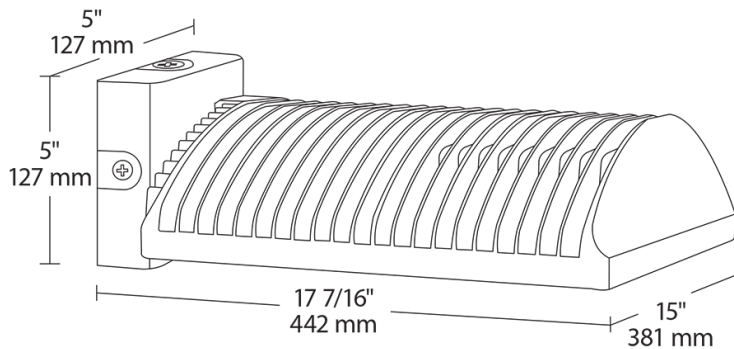
#### Replacement:

Replaces 400W Metal Halide

#### Buy American Act Compliance:

RAB values USA manufacturing! Upon request, RAB may be able to manufacture this product to be compliant with the Buy American Act (BAA). Please contact customer service to request a quote for the product to be made BAA compliant.

## Dimensions



## Features

- High performance LED light engine
- Maintains 70% of initial lumens at 100,000-hours
- Weatherproof high temperature silicone gaskets
- Superior heat sinking with die cast aluminum housing and external fins
- Replaces 400W MH
- 100 up to 277 Volts
- 5-Year, No-Compromise Warranty

## Ordering Matrix

| Family | Optics                                        | Wattage                                                        | Color Temp                                                | Mounting                       | Finish                      | Driver Options                                                                                             | Other Options                                                                                                                                                                                                                                                                                                                                                                                                             |
|--------|-----------------------------------------------|----------------------------------------------------------------|-----------------------------------------------------------|--------------------------------|-----------------------------|------------------------------------------------------------------------------------------------------------|---------------------------------------------------------------------------------------------------------------------------------------------------------------------------------------------------------------------------------------------------------------------------------------------------------------------------------------------------------------------------------------------------------------------------|
| WPLED  | 2T                                            | 78                                                             |                                                           | FX                             |                             | /D10                                                                                                       |                                                                                                                                                                                                                                                                                                                                                                                                                           |
|        | 4T = Type IV<br>3T = Type III<br>2T = Type II | 50 = 50W<br>78 = 78W<br>105 = 105W<br>125 = 125W<br>150 = 150W | Blank = 5000K Cool<br>N = 4000K Neutral<br>Y = 3000K Warm | Blank = Arm<br>FX = Flat Mount | Blank = Bronze<br>W = White | Blank = Standard<br>/480 = 480V<br>/BL = Bi-Level<br>/D10 = 0-10V Dimming<br>/480/D10 = 480V 0-10V Dimming | Blank = Standard<br>/PC = 120V Photocell<br>/PC2 = 277V Photocell<br>/PCT = 120-277V Twistlock Photocell<br>/PCT4 = 480V Twistlock Photocell<br>/PCS = 120V Swivel Photocell<br>/PCS2 = 277V Swivel Photocell<br>/PCS4 = 480V Swivel Photocell<br>/WS = Multi-Level Motion Sensor<br>/WS2 = Multi-Level Motion Sensor (20 ft mt. ht.)<br>/WS4 = Multi-Level Motion Sensor (40 ft mt. ht.)<br>/LC = Lightcloud® Controller |