



|                     |              |
|---------------------|--------------|
| <b>Project:</b>     | <b>Type:</b> |
| <b>Prepared By:</b> | <b>Date:</b> |

| Driver Info |                  | LED Info       |               |
|-------------|------------------|----------------|---------------|
| Type        | Constant Current | Watts          | 360W          |
| 120V        | 2.98A            | Color Temp     | 5000K (Cool)  |
| 208V        | 1.73A            | Color Accuracy | 72 CRI        |
| 240V        | 1.50A            | L70 Lifespan   | 100,000 Hours |
| 277V        | 1.31A            | Lumens         | 46,304 lm     |
| Input Watts | 357.9W           | Efficacy       | 129.4 lm/W    |

**Technical Specifications**

**Compliance**

**UL Listed:**

Suitable for wet locations

**IP Rating:**

Ingress protection rating of IP66 for dust and water

**IESNA LM-79 & lm-80 Testing:**

RAB LED luminaires and LED components have been tested by an independent laboratory in accordance with IESNA lm-79 and lm-80

**Construction**

**IES Classification:**

The Type II distribution is ideal for wide walkways, on ramps and entrance roadways, bike paths and other long and narrow lighting applications. This type is meant for lighting larger areas and usually is located near the roadside. This type of lighting is commonly found on smaller side streets or jogging paths.

**Maximum Ambient Temperature:**

Suitable for use in up to 40°C (104°F)

**Cold Weather Starting:**

The minimum starting temperature is -40°C (-40°F)

**Thermal Management:**

Superior heat sinking with external Air-Flow fins

**Housing:**

Die-cast aluminum with airflow fins for cooling

**Lens:**

Tempered glass

**Reflector:**

Vacuum-metallized polycarbonate

**Gaskets:**

High-temperature silicone gaskets

**Finish:**

Formulated for high durability and long-lasting color

**Green Technology:**

Mercury and UV free. RoHS-compliant components.

**LED Characteristics**

**LEDs:**

Multi-chip, high-output, long-life LEDs

**Color Consistency:**

3-step MacAdam Ellipse binning to achieve consistent fixture-to-fixture color

**Color Stability:**

LED color temperature is warranted to shift no more than 200K in color temperature over a 5-year period

**Color Uniformity:**

RAB's range of Correlated Color Temperature follows the guidelines of the American National Standard for Specifications for the Chromaticity of Solid State Lighting (SSL) Products, ANSI C78.377-2017.

**Electrical**

**Driver:**

Constant Current, Class 2, 120-277V, 50/60Hz, 120V: 2.98A, 208V: 1.73A, 240V: 1.50A, 277V: 1.31A

**Dimming Driver:**

Driver includes dimming control wiring for 0-10V dimming systems. Requires separate 0-10V DC dimming circuit. Dims down to 10%.

**THD:**

5.29% at 120V, 4.82% at 277V

**Power Factor:**

99.9% at 120V, 95.8% at 277V

**Surge Protection:**

6kV

**Technical Specifications (continued)**

**Optical**

**BUG Rating:**

B3 U0 G4

**Other**

**Warranty:**

RAB warrants that our LED products will be free from defects in materials and workmanship for a period of five (5) years from the date of delivery to the end user, including coverage of light output, color stability, driver performance and fixture finish. RAB's warranty is subject to all terms and conditions found at [rablighting.com/warranty](http://rablighting.com/warranty).

**Patents:**

The WPLED design is protected by patents pending in the U.S., Canada, China, Taiwan and Mexico.

**Buy American Act Compliance:**

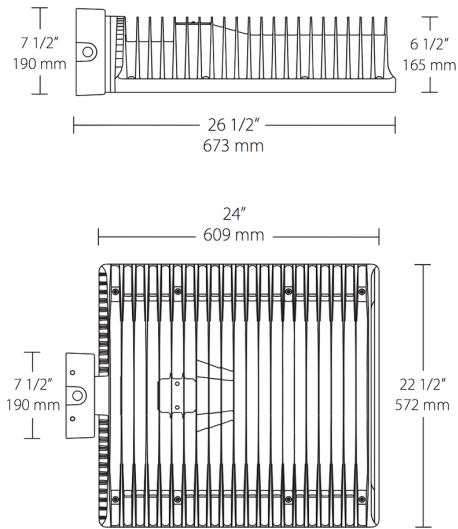
RAB values USA manufacturing! Upon request, RAB may be able to manufacture this product to be compliant with the Buy American Act (BAA). Please contact customer service to request a quote for the product to be made BAA compliant.

**Performance**

**Wattage Equivalency:**

Equivalent to 1,000W Metal Halide

**Dimensions**



**Features**

- High output, high efficiency LED
- Maintains 70% of initial lumens at 100,000-hours
- Weatherproof high temperature silicone gaskets
- Superior heat sinking with die cast aluminum housing and external fins
- 5-Year, No-Compromise Warranty

## Ordering Matrix

| Family | Distribution                                  | Wattage                  | Color Temp  | Mounting                       | Finish                      | Dimming Driver Options   | Options  |
|--------|---|--------------------------|---|--------------------------------|-----------------------------|--|--|
| WPLED  | 2T  | 360                      |   | FX                             | W                           | /D10   |  |
|        | 4T = Type IV<br>3T = Type III<br>2T = Type II | 260 = 260W<br>360 = 360W | Blank = 5000K Cool<br>N = 4000K Neutral<br>Y = 3000K Warm | Blank = Arm<br>FX = Flat Mount | Blank = Bronze<br>W = White | /D10 = 120-277V, 0-10V Dimming<br>/480/D10 = 480V, 0-10V Dimming | /LC = Lightcloud® Controller<br>Blank = No Option<br>/PCT = 120-277V Twistlock Photocell<br>/PCT4 = 480V Twistlock Photocell<br>/WS4 = Motion Sensor/Photocell (40' H/60' D)<br>/WS10 = Motion Sensor/Photocell (40' H/100' D) |

<sup>1</sup> Not available for slipfitter models.