



Color: Bronze

Weight: 14.0 lbs

Project:

Type:

Prepared By:

Date:

Driver Info

LED Info

Type	Constant Current	Watts	26W
120V	0.22A	Color Temp	4000K (Neutral)
208V	0.13A	Color Accuracy	70 CRI
240V	0.11A	L70 Lifespan	100,000 Hours
277V	0.10A	Lumens	3,738 lm
Input Watts	28.9W	Efficacy	129.3 lm/W

Technical Specifications

Construction

Cold Start WPLED26 with Battery Backup:

Minimum starting temperature is -20°C/-4°F

Ambient Temperature:

Suitable for use in up to 35°C (95°F)

Gaskets:

High-temperature silicone

Housing:

Precision die-cast aluminum housing, lens frame and mounting arm

Finish:

Formulated for high durability and long-lasting color

Green Technology:

Mercury and UV free. RoHS-compliant components.

Electrical

Driver:

Constant Current, Class 2, 120-277V, 50/60Hz, 120V: 0.22A, 208V: 0.13A, 240V: 0.11A, 277V 0.10A

Dimming Driver:

Driver includes dimming control wiring for 0-10V dimming systems. Requires separate 0-10V DC dimming circuit. Dims down to 10%.

THD:

10.02% at 120V, 10.55% at 277V

Power Factor:

98.3% at 120V, 95.4% at 277V

Photocell:

120V Button photocell included. Photocell is only compatible with 120V.

Battery Mode:

Light output use LLD of.7 to simulate light output during battery mode operation.

Battery Backup:

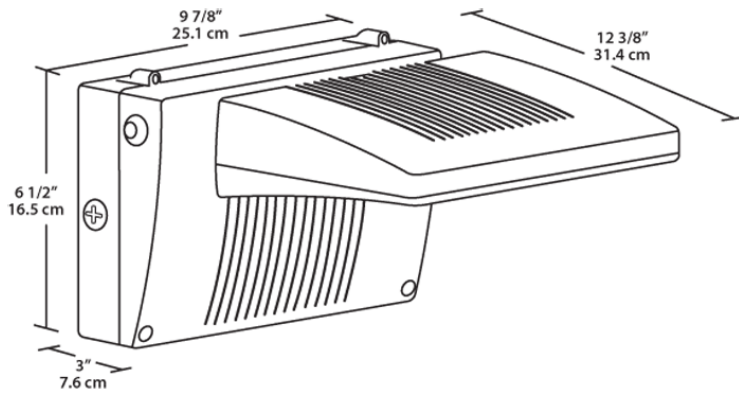
Two field-replaceable, high-temperature, maintenance-free, nickel-cadmium batteries

Compliance

UL Listed:

Suitable for Wet Locations as downlight. Wall Mount Only. Battery Backup UL 924 Listed Emergency Lighting Power Supply.

Dimensions



Features

- Maintains 70% of initial lumens at 100,000-hours
- Weatherproof high temperature silicone gaskets
- Superior heat sinking with die cast aluminum housing and external fins
- 100 up to 277 Volts
- 5-Year, No-Compromise Warranty