



Ultra-high efficiency LED 18 Watt wall pack. patent-pending thermal management system. 100,000 hour L70 lifespan. 5-year, no-compromise warranty.

Color: Bronze

Weight: 14.9 lbs

Project:	Type:
Prepared By:	Date:

Driver Info		LED Info	
Type	Constant Current	Watts	18W
120V	0.15A	Color Temp	5000K (Cool)
208V	0.09A	Color Accuracy	70 CRI
240V	0.08A	L70 Lifespan	100,000 Hours
277V	0.07A	Lumens	2,859 lm
Input Watts	21W	Efficacy	136.1 lm/W

Technical Specifications

Electrical

Driver:

Constant Current, Class 2, 120-277V, 50/60Hz, 120V: 0.15A, 208V: 0.09A, 240V: 0.08A, 277V 0.07A

Dimming Driver:

Driver includes dimming control wiring for 0-10V dimming systems. Requires separate 0-10V DC dimming circuit. Dims down to 10%.

THD:

14.21% at 120V, 10.51% at 277V

Power Factor:

97.4% at 120V, 95.1% at 277V

Battery Backup:

Minimum starting temperature is 0°C/32°F

Battery Mode:

Light output use LLD of .76 to simulate light output during battery mode operation.

Compliance

UL Listed:

Suitable for wet locations. Suitable for mounting within 4ft (1.2m) of the ground.

DLC Listed:

This product is listed by Design Lights Consortium (DLC) as an ultra-efficient premium product that qualifies for the highest tier of rebates from DLC Member Utilities. Designed to meet DLC 5.1 requirements.

DLC Product Code: P0000175I

Performance

Lifespan:

100,000-Hour LED lifespan based on IES LM-80 results and TM-21 calculations

Wattage Equivalency:

Equivalent to 100W Metal Halide

LED Characteristics

LED:

Multi-chip, high-output, long-life LED

Color Consistency:

7-step MacAdam Ellipse binning to achieve consistent fixture-to-fixture color

Color Stability:

LED color temperature is warrantied to shift no more than 200K in color temperature over a 5-year period

Color Uniformity:

RAB's range of Correlated Color Temperature follows the guidelines of the American National Standard for Specifications for the Chromaticity of Solid State Lighting (SSL) Products, ANSI C78.377-2017.

Construction

Maximum Ambient Temperature:

Suitable for use in up to 40°C (104°F)

Thermal Management:

Superior heat sinking with external Air-Flow fins

Finish:

Our environmentally friendly polyester powder coatings are formulated for high-durability and long-lasting color

Reflector:

Semi-specular, vacuum-metalized polycarbonate

Gaskets:

High-temperature silicone gaskets

Housing:

Die-cast aluminum housing, lens frame and mounting arm

Mounting:

Heavy-duty 1/2" thread mounting arm with "O" ring seal & stainless steel screws

Technical Specifications (continued)

Green Technology:

Mercury and UV free. RoHS-compliant components.

Other

Patents:

The design of WPLED18 is protected by US patent D608,040, Canada patent 138280, and China patent CN301649064S

Warranty:

RAB warrants that our LED products will be free from defects in materials and workmanship for a period of five (5) years from the date of delivery to the end user, including coverage of light output, color stability, driver performance and fixture finish. RAB's warranty is subject to all terms and conditions found at rablighting.com/warranty.

Replacement:

Replaces 150W Metal Halide

Buy American Act Compliance:

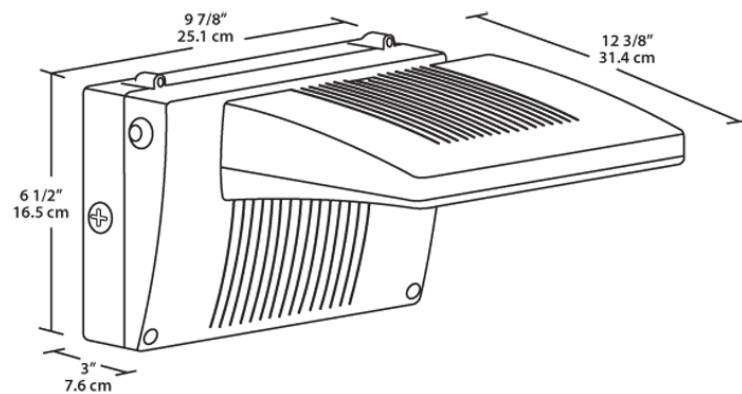
RAB values USA manufacturing! Upon request, RAB may be able to manufacture this product to be compliant with the Buy American Act (BAA). Please contact customer service to request a quote for the product to be made BAA compliant.

Optical

BUG Rating:

B1 U0 G0

Dimensions



Features

- Ultra-high efficiency LED 18 Watt wall pack
- Replaces 100W Metal Halide Wall packs
- 100,000-Hour LED Lifespan
- 5-Year, No-Compromise Warranty

Ordering Matrix

Family	Wattage	Color Temp	Finish	Emergency Battery Backup	Options	Other Options
WPLED	18		W	/E		
	18 = 18W	Blank = 5000K Cool N = 4000K Neutral Y = 3000K Warm	Blank = Bronze W = White	Blank = No Battery Backup /E = Standard Battery Backup /EC = Battery Backup with Cold Start	Blank = No Option /PCS = 120V Swivel Photocell /PC = 120V Button Photocell /PC2 = 277V Button Photocell	Blank = Standard USA = BAA Compliant