



Color: Bronze

Weight: 24.7 lbs

Project:

Type:

Prepared By:

Date:

### Driver Info

|             |                  |
|-------------|------------------|
| Type        | Constant Current |
| 120V        | 0.46A            |
| 208V        | 0.26A            |
| 240V        | 0.23A            |
| 277V        | 0.20A            |
| Input Watts | 54.4W            |

### LED Info

|                |                 |
|----------------|-----------------|
| Watts          | 55W             |
| Color Temp     | 4000K (Neutral) |
| Color Accuracy | 72 CRI          |
| L70 Lifespan   | 100,000 Hours   |
| Lumens         | 8,387 lm        |
| Efficacy       | 154.2           |

## Technical Specifications

### Compliance

#### UL Listed:

Suitable for wet locations

#### IESNA LM-79 & lm-80 Testing:

RAB LED luminaires and LED components have been tested by an independent laboratory in accordance with IESNA lm-79 and lm-80

#### Trade Agreements Act Compliant:

This product is a product of Cambodia and a "designated country" end product that complies with the Trade Agreements Act

#### DLC Listed:

This product is listed by Design Lights Consortium (DLC) as an ultra-efficient premium product that qualifies for the highest tier of rebates from DLC Member Utilities. Designed to meet DLC 5.1 requirements.  
DLC Product Code: P6N8KJ80

### Performance

#### Lifespan:

100,000-Hour LED lifespan based on IES LM-80 results and TM-21 calculations

#### Wattage Equivalency:

Equivalent to 250W Metal Halide

### LED Characteristics

#### LEDs:

Multip-chip, high-output, long-life LEDs

### Construction

#### Cold Weather Starting:

The minimum starting temperature is -30°C (-22°F)

#### Maximum Ambient Temperature:

40°C (104°F)

#### Housing:

Die-cast aluminum

#### Reflector:

Aluminum alloy

#### Lens:

Glass

#### Gaskets:

High-temperature silicone gaskets

#### Mounting:

Surface mount

#### Finish:

Formulated for high durability and long-lasting color

### Green Technology:

Mercury and UV free. RoHS-compliant components.

### Electrical

#### Driver:

Constant Current, 120-277V, 50/60 Hz, 120V: 0.46A, 208V: 0.26A, 240V: 0.23A, 277V: 0.20A

#### Dimming Driver:

Driver includes dimming control wiring for 0-10V dimming systems. Requires separate 0-10V DC dimming circuit. Dims down to 10%.

#### THD:

9.14% at 120V, 6.52% at 277V

#### Power Factor:

99.1% at 120V, 98.9% at 277V

#### Surge Protection:

4kV

### Other

#### Note:

All values are typical (tolerance +/- 10%)

## Technical Specifications (continued)

### Warranty:

RAB warrants that our LED products will be free from defects in materials and workmanship for a period of ten (10) years from the date of delivery to the end user, including coverage of light output, color stability, driver performance and fixture finish. RAB's warranty is subject to all terms and conditions found at [rablighting.com/warranty](http://rablighting.com/warranty).

### Buy American Act Compliance:

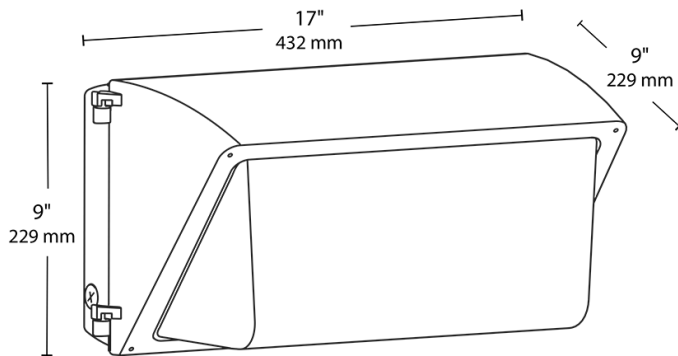
RAB values USA manufacturing! Upon request, RAB may be able to manufacture this product to be compliant with the Buy American Act (BAA). Please contact customer service to request a quote for the product to be made BAA compliant.

### Optical

#### BUG Rating:

B1 U4 G5

## Dimensions



## Features

- Affordable wall pack with traditional look
- Ultra-high efficacy
- Covers footprint of large HID wall packs
- 100,000-Hour LED lifespan

## Ordering Matrix

| Family | Lumen Pack Wattage   |   | CRI/Color Temp  | Finish                      | Voltage  | Options  |
|--------|--|---|---|-----------------------------|--|--|
| WP3LED | 83L  | - | 740   |                             | U  |  |
|        | 75L = 7500lm, 51W<br>83L = 8300lm, 55W<br>93L = 9300lm, 65W<br>150L = 15,000lm, 100W |   | 750 = 70 CRI, 5000K<br>740 = 70 CRI, 4000K<br>730 = 70 CRI, 3000K | Blank = Bronze<br>W = White | U = 120-277V, 0-10V Dimming<br>H = 480V, 0-10V Dimming | Blank = No Options<br>/PCU = 120-277V Button Photocell<br>/PCS = 120V Swivel Photocell<br>/PCS2 = 208V-277V Swivel Photocell<br>/PCS4 = 480V Swivel Photocell<br>/MVS = Microwave Motion Sensor<br>/LC = Lightcloud® Controller<br>/E2 = 120-277V Battery Backup |