

Color: Bronze

Weight: 11.1 lbs

<b>Project:</b>	<b>Type:</b>
<b>Prepared By:</b>	<b>Date:</b>

Driver Info		LED Info	
Type	Constant Current	Watts	51W
120V	0.43A	Color Temp	3000K (Warm)
208V	0.25A	Color Accuracy	72 CRI
240V	0.21A	L70 Lifespan	100,000 Hours
277V	0.18A	Lumens	7,690 lm
Input Watts	48.2W	Efficacy	159.5

**Technical Specifications**

**Compliance**

**UL Listed:**

Suitable for wet locations

**IESNA LM-79 & lm-80 Testing:**

RAB LED luminaires and LED components have been tested by an independent laboratory in accordance with IESNA lm-79 and lm-80

**DLC Listed:**

This product is listed by Design Lights Consortium (DLC) as an ultra-efficient premium product that qualifies for the highest tier of rebates from DLC Member Utilities. Designed to meet DLC 5.1 requirements.  
DLC Product Code: PUZPRS8I

**Performance**

**Lifespan:**

100,000-Hour LED lifespan based on IES LM-80 results and TM-21 calculations

**Wattage Equivalency:**

Equivalent to 200W Metal Halide

**LED Characteristics**

**LEDs:**

Multip-chip, high-output, long-life LEDs

**Construction**

**Cold Weather Starting:**

The minimum starting temperature is -30°C (-22°F)

**Maximum Ambient Temperature:**

40°C (104°F)

**Housing:**

Die-cast aluminum

**Reflector:**

Aluminum alloy

**Lens:**

Glass

**Gaskets:**

High-temperature silicone gaskets

**Mounting:**

Surface mount

**Finish:**

Formulated for high durability and long-lasting color

**Green Technology:**

Mercury and UV free. RoHS-compliant components.

**Electrical**

**Driver:**

Constant Current, 120-277V, 50/60 Hz, 120V: 0.43A, 208V: 0.25A, 240V: 0.21A, 277V: 0.18A

**Dimming Driver:**

Driver includes dimming control wiring for 0-10V dimming systems. Requires separate 0-10V DC dimming circuit. Dims down to 10%.

**THD:**

9.54% at 120V, 6.14% at 277V

**Power Factor:**

99.1% at 120V, 98.6% at 277V

**Surge Protection:**

4kV

**Photocell:**

120-277V Button photocell included. Photocell is compatible with 120V-277V.

**Other**

**Note:**

All values are typical (tolerance +/- 10%)

## Technical Specifications (continued)

### Warranty:

RAB warrants that our LED products will be free from defects in materials and workmanship for a period of ten (10) years from the date of delivery to the end user, including coverage of light output, color stability, driver performance and fixture finish. RAB's warranty is subject to all terms and conditions found at [rablighting.com/warranty](http://rablighting.com/warranty).

### Buy American Act Compliance:

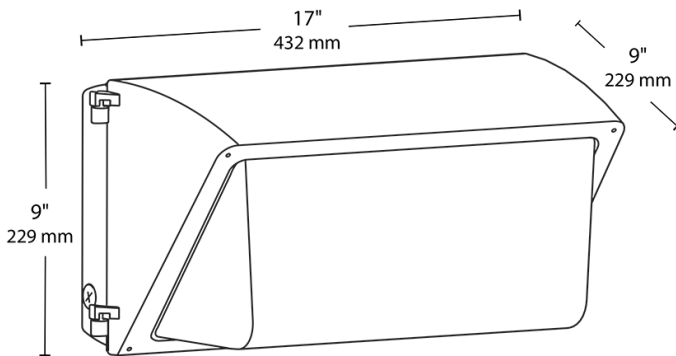
RAB values USA manufacturing! Upon request, RAB may be able to manufacture this product to be compliant with the Buy American Act (BAA). Please contact customer service to request a quote for the product to be made BAA compliant.

### Optical

#### BUG Rating:

B1 U4 G4

## Dimensions



## Features

- Affordable wall pack with traditional look
- Ultra-high efficacy
- Covers footprint of large HID wall packs
- 100,000-Hour LED lifespan

## Ordering Matrix

Family	Lumen Pack Wattage		CRI/Color Temp	Finish	Voltage	Options
WP3LED	75L	-	730		U	/PCU
	75L = 7500lm, 51W 83L = 8300lm, 55W 93L = 9300lm, 65W 150L = 15,000lm, 100W		750 = 70 CRI, 5000K 740 = 70 CRI, 4000K 730 = 70 CRI, 3000K	Blank = Bronze W = White	U = 120-277V, 0-10V Dimming H = 480V, 0-10V Dimming	Blank = No Options /PCU = 120-277V Button Photocell /PCS = 120V Swivel Photocell /PCS2 = 208V-277V Swivel Photocell /PCS4 = 480V Swivel Photocell /MVS = Microwave Motion Sensor /LC = Lightcloud® Controller /E2 = 120-277V Battery Backup