



Color: Bronze

Weight: 7.9 lbs

<b>Project:</b>	<b>Type:</b>
<b>Prepared By:</b>	<b>Date:</b>

Driver Info		LED Info	
Type	Constant Current	Watts	80/60/40W
120V	0.65A/0.49A/0.33A	Color Temp	3000K/4000K/5000K
208V	0.38A/0.28A/0.19A	Color Accuracy	80-84 CRI
240V	0.34A/0.26A/0.17A	L70 Lifespan	100,000 Hours
277V	0.30A/0.22A/0.15A	Lumens	5,651-11,606 lm
Input Watts	38.7-79.5W	Efficacy	139.4-153.1 lm/W

**Technical Specifications**

**Field Adjustability**

**Field Adjustable:**

Field Adjustable Light Output:  
80W/60W/40W (factory default 80W)  
Color temperature (selectable by 3000K, 4000K and 5000K)

**Compliance**

**UL Listed:**

Suitable for wet locations

**IESNA LM-79 & LM-80 Testing:**

RAB LED luminaires and LED components have been tested by an independent laboratory in accordance with IESNA LM-79 and LM-80.

**IP Rating:**

Ingress protection rating of IP65 for dust and water

**Performance**

**Lifespan:**

100,000-Hour LED lifespan based on IES LM-80 results and TM-21 calculations

**Wattage Equivalency:**

80W: 400W Metal Halide  
60W: 250W Metal Halide  
40W: 200W Metal Halide

**LED Characteristics**

**LEDs:**

Long-life, high-efficiency, surface-mount LEDs

**Electrical**

**Driver:**

80W: Constant Current, Class 1, 120-277V, 50/60 Hz, 120V: 0.65A, 208V: 0.38A, 240V: 0.34A, 277V: 0.30A  
60W: Constant Current, Class 1, 120-277V, 50/60 Hz, 120V: 0.49A, 208V: 0.28A, 240V: 0.26A, 277V: 0.22A  
40W: Constant Current, Class 1, 120-277V, 50/60 Hz, 120V: 0.33A, 208V: 0.19A, 240V: 0.17A, 277V: 0.15A

**Dimming Driver:**

Driver includes dimming control wiring for 0-10V dimming systems. Requires separate 0-10V DC dimming circuit. Dims down to 10%.

**THD:**

13.55% at 120V, 8.51% at 277V

**Power Factor:**

99% at 120V, 96% at 277V

**Photocell:**

120-277V selectable photocell that can be turned on and off.

**Construction**

**Cold Weather Starting:**

The minimum starting temperature is -40°C (-40°F)

**Maximum Ambient Temperature:**

Suitable for use in up to 50°C (122°F)

**Housing:**

Die-cast aluminum

**Lens:**

Tempered glass

**Finish:**

Formulated for high durability and long-lasting color

**Green Technology:**

Mercury and UV free. RoHS-compliant components.

**Other**

**Note:**

All values are typical (tolerance +/- 10%)

**5 Yr Limited Warranty:**

The RAB 5-year, limited warranty covers light output, driver performance and paint finish. RAB's warranty is subject to all terms and conditions found at [rablighting.com/warranty](http://rablighting.com/warranty).

**Technical Specifications (continued)**

**Buy American Act Compliance:**

RAB values USA manufacturing! Upon request, RAB may be able to manufacture this product to be compliant with the Buy American Act (BAA). Please contact customer service to request a quote for the product to be made BAA compliant.

**Installation**

**Mounting:**

Wall mount

**Lightcloud**

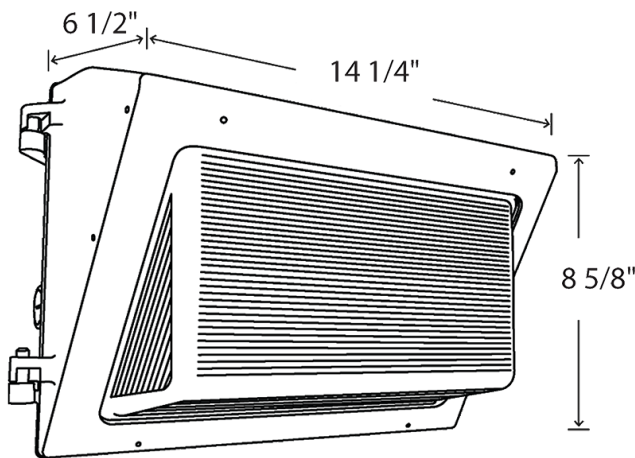
**Lightcloud Controller Installed:**

Integrated/embedded networked lighting control, luminaire-level lighting control. Fixture, Zone, and plug-load control from one powerful device. LLLC - capable of switching, 0-10V dimming, power/energy monitoring. Can also be used to extend the range of the Lightcloud mesh network communication protocols. Offers the capability to set the maximum light output to a less-than-maximum state of an individual luminaire at the time of installation or commissioning. The High-End trim functionality is field reconfigurable via the Lightcloud mesh network communication protocols. The Lightcloud controller can be attached to the fixture, junction box, or electrical panel.

DLC system - NHCZ2BIA17L

[Learn more about Lightcloud.](#)

**Dimensions**



**Features**

- IP65 Rated
- 100,000-Hour LED lifespan
- 5-Year, limited warranty

## Ordering Matrix

Family	Wattage	Color Temp	Finish	Voltage/Driver	Options
WP2XFU	80				/LC
	<b>29</b> = 29/20/15W <b>40</b> = 40/30/20W <b>60</b> = 60/45/35W <b>80</b> = 80/60/40W <b>100</b> = 100/80/60W	<b>Blank</b> = 3000K/4000K/5000K	<b>Blank</b> = Bronze	<b>Blank</b> = 120-277V, 0-10V Dimming	<b>Blank</b> = Selectable Photocell <b>/LC</b> = Lightcloud Controller <b>/LCB</b> = Lightcloud Blue Enabled <b>/LCBS</b> = Lightcloud Blue Enabled w/PIR Sensor <b>/LCBS/MVS</b> = Lightcloud Blue Enabled w/MVS Sensor