



Color: Bronze

Weight: 7.9 lbs

Project:	Type:
Prepared By:	Date:

Driver Info		LED Info	
Type	Constant Current	Watts	15W
120V	0.30A	Color Temp	3000K/4000K/5000K
208V	0.20A	Color	80 CRI
240V	0.15A	Accuracy	
277V	0.10A	L70 Lifespan	100,000 Hours
Input Watts	15-29.3W	Lumens	2216-4350 lm
		Efficacy	143.3-157.2 lm/W

Technical Specifications

Field Adjustability

Field Adjustable:

Field Adjustable Light Output:
29W/20W/15W (factory default 29W)
Color temperature (selectable by 3000K, 4000K and 5000K)

Compliance

UL Listed:

Suitable for wet locations

IESNA LM-79 & lm-80 Testing:

RAB LED luminaires and LED components have been tested by an independent laboratory in accordance with IESNA lm-79 and lm-80

IP Rating:

Ingress protection rating of IP65 for dust and water

DLC Listed:

This product is listed by Design Lights Consortium (DLC) as an ultra-efficient premium product that qualifies for the highest tier of rebates from DLC Member Utilities. Designed to meet DLC 5.1 requirements.
DLC Product Code: PLC2WWSEFUB3

Performance

Lifespan:

100,000-Hour LED lifespan based on IES LM-80 results and TM-21 calculations

Wattage Equivalency:

29W: 125W Metal Halide
20W: 100W Metal Halide
15W: 70W Metal Halide

LED Characteristics

LEDs:

Long-life, high-efficiency, surface-mount LEDs

Electrical

Driver:

Constant Current, Class 2, 120-277V, 50/60 Hz, 120V: 0.30A, 208V: 0.20A, 240V: 0.15A, 277V: 0.10A

Dimming Driver:

Driver includes dimming control wiring for 0-10V dimming systems. Requires separate 0-10V DC dimming circuit. Dims down to 10%.

Photocell:

120-277V selectable photocell that can be turned on and off.

Construction

Cold Weather Starting:

The minimum starting temperature is -40°C (-40°F)

Ambient Temperature :

Max Power Temp Rating: 50°C (122°F)
Middle Power Temp Rating: 53°C (128°F)
Low Power Temp Rating: 54°C (128°F)

Housing:

Die-cast aluminum

Lens:

Tempered glass

Finish:

Formulated for high durability and long-lasting color

Green Technology:

Mercury and UV free. RoHS-compliant components.

Installation

Mounting:

Wall mount

Other

Note:

All values are typical (tolerance +/- 10%)

Technical Specifications (continued)

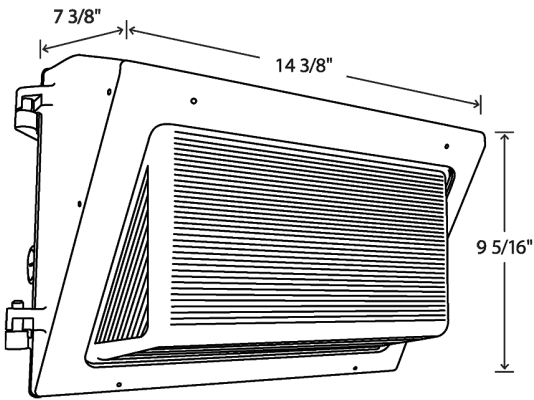
5 Yr Limited Warranty:

The RAB 5-year, limited warranty covers light output, driver performance and paint finish. RAB's warranty is subject to all terms and conditions found at rablighting.com/warranty.

Buy American Act Compliance:

RAB values USA manufacturing! Upon request, RAB may be able to manufacture this product to be compliant with the Buy American Act (BAA). Please contact customer service to request a quote for the product to be made BAA compliant.

Dimensions



Features

- IP65 Rated
- 100,000-Hour LED lifespan
- 5-Year, limited warranty

Ordering Matrix

Family	Wattage	Color Temp	Finish	Voltage/Driver	Options
WP2XFU	29				
	29 = 29/20/15W 40 = 40/30/20W 60 = 60/45/35W 80 = 80/60/40W 100 = 100/80/60W	Blank = 3000K/4000K/5000K	Blank = Bronze	Blank = 120-277V, 0-10V Dimming	Blank = Selectable Photocell /LC = Lightcloud® Controller