



Color: Bronze

Weight: 6.6 lbs

Project:	Type:
Prepared By:	Date:

Driver Info		LED Info	
Type	Constant Current	Watts	29/20/15W
120V	0.24A/0.17A/0.13A	Color Temp	3000K/4000K/5000K
208V	0.14A/0.10A/0.07A	Color	82-84 CRI
240V	0.13A/0.09A/0.07A	Accuracy	
277V	0.11A/0.08A/0.06A	L70 Lifespan	100,000 Hours
Input Watts	15-29.7W	Lumens	2,115-4,283 lm
		Efficacy	135.3-148.3 lm/W

Technical Specifications

Field Adjustability

Field Adjustable:

Field Adjustable Light Output:
29W/20W/15W (factory default 29W)
Color temperature (selectable by 3000K, 4000K and 5000K)

Compliance

UL Listed:

Suitable for wet locations

IESNA LM-79 & LM-80 Testing:

RAB LED luminaires and LED components have been tested by an independent laboratory in accordance with IESNA LM-79 and LM-80.

IP Rating:

Ingress protection rating of IP65 for dust and water

Performance

Lifespan:

100,000-Hour LED lifespan based on IES LM-80 results and TM-21 calculations

Wattage Equivalency:

29W: 125W Metal Halide
20W: 100W Metal Halide
15W: 70W Metal Halide

LED Characteristics

LEDs:

Long-life, high-efficiency, surface-mount LEDs

Electrical

Driver:

29W: Constant Current, Class 1, 120-277V, 50/60 Hz, 120V: 0.24A, 208V: 0.14A, 240V: 0.13A, 277V: 0.11A
20W: Constant Current, Class 1, 120-277V, 50/60 Hz, 120V: 0.17A, 208V: 0.10A, 240V: 0.09A, 277V: 0.08A
15W: Constant Current, Class 1, 120-277V, 50/60 Hz, 120V: 0.13A, 208V: 0.07A, 240V: 0.07A, 277V: 0.06A

Dimming Driver:

Driver includes dimming control wiring for 0-10V dimming systems. Requires separate 0-10V DC dimming circuit. Dims down to 10%.

THD:

12.2% at 120V, 13% at 277V

Power Factor:

98.9% at 120V, 93% at 277V

Photocell:

120-277V selectable photocell that can be turned on and off.

Construction

Cold Weather Starting:

The minimum starting temperature is -40°C (-40°F)

Ambient Temperature :

Max Power Temp Rating: 50°C (122°F)
Middle Power Temp Rating: 53°C (128°F)
Low Power Temp Rating: 54°C (128°F)

Housing:

Die-cast aluminum

Lens:

Tempered glass

Finish:

Formulated for high durability and long-lasting color

Green Technology:

Mercury and UV free. RoHS-compliant components.

Installation

Mounting:

Wall mount

Technical Specifications (continued)

Lightcloud

Lightcloud Controller Installed:

Integrated/embedded networked lighting control, luminaire-level lighting control. Fixture, Zone, and plug-load control from one powerful device. LLLC - capable of switching, 0-10V dimming, power/energy monitoring. Can also be used to extend the range of the Lightcloud mesh network communication protocols. Offers the capability to set the maximum light output to a less-than-maximum state of an individual luminaire at the time of installation or commissioning. The High-End trim functionality is field reconfigurable via the Lightcloud mesh network communication protocols. The Lightcloud controller can be attached to the fixture, junction box, or electrical panel.

DLC system - NHCZ2BIA17L

[Learn more about Lightcloud.](#)

Other

Note:

All values are typical (tolerance +/- 10%)

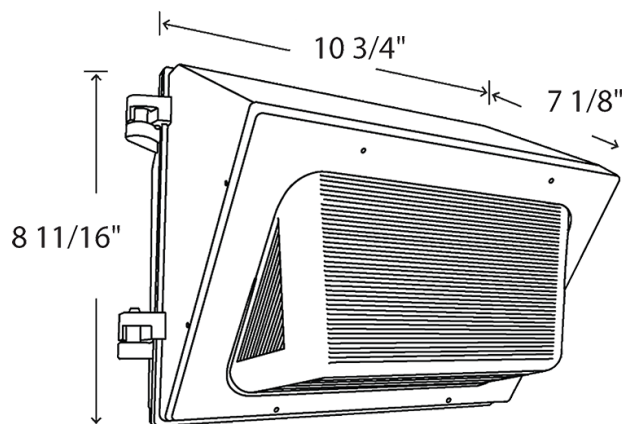
5 Yr Limited Warranty:

The RAB 5-year, limited warranty covers light output, driver performance and paint finish. RAB's warranty is subject to all terms and conditions found at rablighting.com/warranty.

Buy American Act Compliance:

RAB values USA manufacturing! Upon request, RAB may be able to manufacture this product to be compliant with the Buy American Act (BAA). Please contact customer service to request a quote for the product to be made BAA compliant.

Dimensions



Features

- IP65 Rated
- 100,000-Hour LED lifespan
- 5-Year, limited warranty

Ordering Matrix

Family	Wattage	Color Temp	Finish	Voltage/Driver	Options
WP1XFU	29				/LC

29 = 29/20/15W

Blank = 3000K/4000K/5000K

Blank = Bronze

Blank = 120-277V, 0-10V Dimming

Blank = Selectable Photocell
 /LC = Lightcloud Controller
 /LCB = Lightcloud Blue Enabled
 /LCBS = Lightcloud Blue Enabled w/PIR Sensor
 /LCBS/MVS = Lightcloud Blue Enabled w/MVS Sensor