



Color: White

Weight: 4.5 lbs

Project:	Type:
Prepared By:	Date:

Driver Info		LED Info	
Type	Constant Current	Watts	26W
120V	0.22A	Color Temp	3000K (Warm)
208V	0.13A	Color Accuracy	72 CRI
240V	0.11A	L70 Lifespan	100,000 Hours
277V	0.09A	Lumens	3,936 lm
Input Watts	26.7W	Efficacy	147.4

Technical Specifications

Compliance

UL Listed:

Suitable for wet locations

IESNA LM-79 & lm-80 Testing:

RAB LED luminaires and LED components have been tested by an independent laboratory in accordance with IESNA lm-79 and lm-80

DLC Listed:

This product is listed by Design Lights Consortium (DLC) as an ultra-efficient premium product that qualifies for the highest tier of rebates from DLC Member Utilities. Designed to meet DLC 5.1 requirements.
DLC Product Code: PLA9DPTU

Performance

Lifespan:

100,000-Hour LED lifespan based on IES LM-80 results and TM-21 calculations

Wattage Equivalency:

Equivalent to 100W Metal Halide

LED Characteristics

LEDs:

Multip-chip, high-output, long-life LEDs

Construction

Cold Weather Starting:

The minimum starting temperature is -40°C (-40°F)

Maximum Ambient Temperature:

40°C (104°F)

Housing:

Die-cast aluminum

Reflector:

Aluminum alloy

Lens:

Acrylic lens

Gaskets:

High-temperature silicone gaskets

Mounting:

Surface mount

Finish:

Formulated for high durability and long-lasting color

Green Technology:

Mercury and UV free. RoHS-compliant components.

Electrical

Driver:

Constant Current, 120-277V, 50/60 Hz, 120V: 0.22A, 208V: 0.13A, 240V: 0.11A, 277V: 0.09A

Dimming Driver:

Driver includes dimming control wiring for 0-10V dimming systems. Requires separate 0-10V DC dimming circuit. Dims down to 10%.

THD:

7.63% at 120V, 15.76% at 277V

Power Factor:

99.1% at 120V, 90% at 277V

Surge Protection:

2kV

Other

Note:

All values are typical (tolerance +/- 10%)

Technical Specifications (continued)

Warranty:

RAB warrants that our LED products will be free from defects in materials and workmanship for a period of ten (10) years from the date of delivery to the end user, including coverage of light output, color stability, driver performance and fixture finish. RAB's warranty is subject to all terms and conditions found at rablighting.com/warranty.

Buy American Act Compliance:

RAB values USA manufacturing! Upon request, RAB may be able to manufacture this product to be compliant with the Buy American Act (BAA). Please contact customer service to request a quote for the product to be made BAA compliant.

Optical

BUG Rating:

B1 U3 G3

Lightcloud

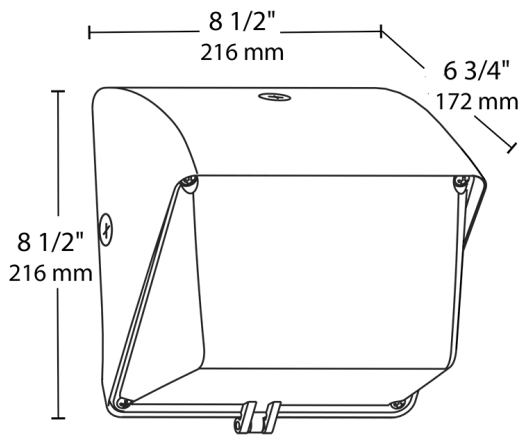
Lightcloud Controller Installed:

Integrated/embedded networked lighting control, luminaire-level lighting control. Fixture, Zone, and plug-load control from one powerful device. LLLC - capable of switching, 0-10V dimming, power/energy monitoring. Can also be used to extend the range of the Lightcloud mesh network communication protocols. Offers the capability to set the maximum light output to a less-than-maximum state of an individual luminaire at the time of installation or commissioning. The High-End trim functionality is field reconfigurable via the Lightcloud mesh network communication protocols. The Lightcloud controller can be attached to the fixture, junction box, or electrical panel.

DLC system - NHCZ2BIA17L

[Learn more about Lightcloud.](#)

Dimensions



Features

- Affordable wall pack with traditional look
- Ultra-high efficacy
- Covers footprint of small HID wall packs
- 100,000-Hour LED lifespan

Ordering Matrix

Family	Lumen Pack Wattage	CRI/Color Temp	Finish	Voltage	Options	
WP1LED	39L	-	730	W	U	/LC
	39L = 3900lm, 26W	750 = 70 CRI, 5000K 740 = 70 CRI, 4000K 730 = 70 CRI, 3000K	Blank = Bronze W = White	U = 120-277V, 0-10V Dimming H = 480V, 0-10V Dimming	Blank = No Options /PCU = 120-277V Button Photocell /PCS = 120V Swivel Photocell /PCS2 = 208V-277V Swivel Photocell /PCS4 = 480V Swivel Photocell /MVS = Microwave Motion Sensor /LC = Lightcloud® Controller	