



Color: Brushed nickel

Weight: 0.0 lbs

<b>Project:</b>	<b>Type:</b>
<b>Prepared By:</b>	<b>Date:</b>

**Technical Specifications**

**Performance**

**Product Type:**

Wafer Trim

**Description:**

Brushed nickel smooth round color trim for compatible 3" wafer downlights.

**Installation**

**Mounting:**

Snap on

**Construction**

**Size:**

3"

**Shape:**

Round

**Finish:**

Brushed Nickel

**Housing Material:**

Metal

**Trim Style:**

Smooth

**Compliance**

**Listings:**

None

**Environment:**

Suitable for use in dry and damp environments. Not suitable for applications with direct sunlight.

**T20 Compliant:**

Not applicable

**California Title 24 JA8 Compliant:**

Not applicable

**California Energy Commission (CEC) Status:**

Lawful for Sales in California

**Other**

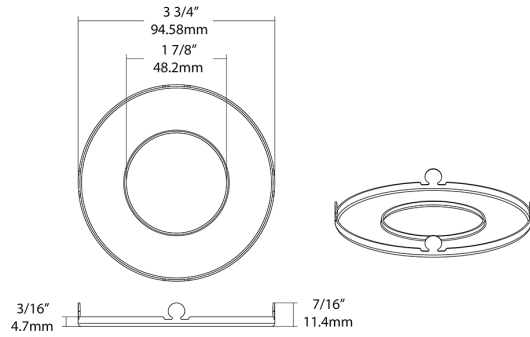
**Compatible Products:**

See Downlight Accessory Compatibility List for a complete listing of compatible products.

**Buy American Act Compliance:**

RAB values USA manufacturing! Upon request, RAB may be able to manufacture this product to be compliant with the Buy American Act (BAA). Please contact customer service to request a quote for the product to be made BAA compliant.

## Dimensions



## Features

Trims for Edge-Lit Wafer