



Adjustable gimbal back-lit wafer offered in 4" and 6" models with 5 selectable color temperatures in one wafer. The remote driver makes these ideal for new construction and retrofit applications.

Color: White

Weight: 1.2 lbs

Project:

Type:

Prepared By:

Date:

#### Driver Info

Type	Constant Current
120V	N/A
208V	N/A
240V	N/A
277V	N/A
Input Watts	12W

#### LED Info

Watts	12W
Color Temp	Field Adjustable
Color Accuracy	2700K/3000K/3500K/4000K/5000K 90 CRI
L70 Lifespan	50,000 Hours
Lumens	950-1,075 lm
Efficacy	79-90 lm/W

## Technical Specifications

### Performance

#### Description:

This 6-inch adjustable gimbal wafer downlight has an ultra low-profile design and 5 field adjustable color temperatures making them a flexible solution for both new construction and retrofit applications. The remote driver box has quick connectors, knockouts, and plenty of space for daisy chain wiring or adding an emergency backup unit.

#### Product Type:

Recessed Downlights

#### Input Wattage:

12W

#### Lumens:

5000K: 1,055lm  
4000K: 1,075lm  
3500K: 1,060lm  
3000K: 1,025lm  
2700K: 950lm

#### Efficacy:

5000K: 88lm/W  
4000K: 90lm/W  
3500K: 88lm/W  
3000K: 85lm/W  
2700K: 79lm/W

#### L70 Lifespan:

50,000-Hour LED lifespan based on IES LM-70 results

#### Dimming:

Yes, See Dimmer Compatibility List

#### Wattage Equivalency:

Equivalent to 75W Incandescent

### Compliance

#### UL Listed:

Suitable for wet locations

#### Energy Star Approved:

ENERGY STAR® Version 2.2 Certified

#### Energy Star ID:

2395417

#### Trade Agreements Act Compliant:

This product is a product of Cambodia and a "designated country" end product that complies with the Trade Agreements Act

### Electrical

#### THD:

≤20%

#### Power Factor:

0.9

#### Operating Frequency:

60 Hz

### Construction

#### Material:

Plastic

#### Trim Style:

Smooth Trim

#### Shape:

Round

#### Mounting:

Recessed ceiling

#### Operating Temperature Range:

-20°C - 40°C (-4°F - 104°F)

### Other

#### Warranty:

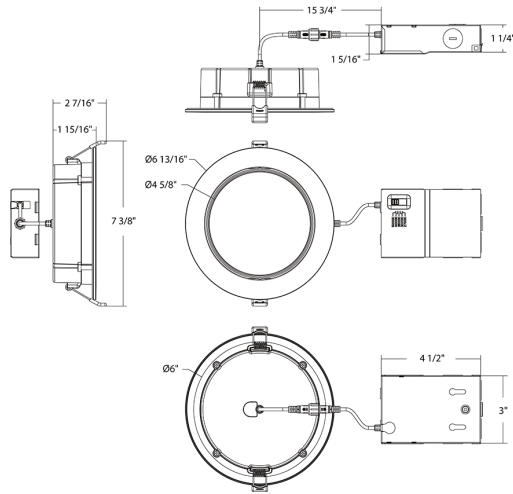
RAB warrants that our LED products will be free from defects in materials and workmanship for a period of five (5) years from the date of delivery to the end user, including coverage of light output, color stability, driver performance and fixture finish. RAB's warranty is subject to all terms and conditions found at [rablighting.com/warranty](http://rablighting.com/warranty).

## Technical Specifications (continued)

### Buy American Act Compliance:

RAB values USA manufacturing! Upon request, RAB may be able to manufacture this product to be compliant with the Buy American Act (BAA). Please contact customer service to request a quote for the product to be made BAA compliant.

## Dimensions



## Features

- Shallow baffle trim provides extremely thin depth for shallow ceiling installation
- Flexible 360° rotation and 25° tilt for any direction illumination
- 5 color temperatures in 1 SKU (2700K, 3000K, 3500K, 4000K, 5000K)
- No recessed housing or J-box required
- IC and airtight rated

## Ordering Matrix

Family	Size	Shape	Wattage	CRI/Color Temp	Voltage	Finish	Trim
WFRLA	6	R	12	9FA	120	W	S
	4 = 4" 6 = 6"	R = Round	8 = 8W 12 = 12W	9FA = 90 CRI, CCT Adjustable	120 = 120V	W = White	S = Smooth