



Project:	Type:
Prepared By:	Date:

Driver Info		LED Info	
Type	Constant Current	Watts	14W
120V	0.13A	Color Temp	2700K/3000K/3500K/4000K/5000K
208V	N/A	Color Accuracy	90 CRI
240V	N/A	L70 Lifespan	50,000 Hours
277V	N/A	Lumens	1,200 lm
Input Watts	9W	Efficacy	85.7

Technical Specifications

Performance

Description:

This 6-inch canless wafer downlight has an ultra low-profile design and 5 field adjustable color temperatures making them a flexible solution for both new construction and retrofit applications. The remote driver box has quick connectors, knockouts, and plenty of space for daisy chain wiring or adding an emergency backup unit.

Product Type:

Recessed Downlights

Input Wattage:

14W

Lumens (Nominal):

1,200lm

Efficacy:

85.7lm/W

L70 Lifespan:

50,000-Hour LED lifespan based on IES LM-70 results

Compliance

UL Listed:

Suitable for wet locations

Energy Star Approved:

ENERGY STAR® Version 2.2 Certified

Energy Star ID:

2388933

NEC Compliant:

Suitable for use in closets. Compliant with NEC Sec. 410.16 (A)(1) and 410.16 (C3).

Trade Agreements Act Compliant:

This product is a product of Cambodia and a "designated country" end product that complies with the Trade Agreements Act

Electrical

Dimming Driver:

TRIAC compatible dimmer with dimming as low as 10%.

THD:

≤20%

Power Factor:

≥0.9

Flicker:

<5%

Input Voltage:

120V

Operating Frequency:

60Hz

Construction

Material:

Metal and Plastic

Trim Style:

Smooth Trim

Shape:

Round

Mounting:

Recessed ceiling

Operating Temperature:

-20°C (-4°F) to 40°C (104°F)

Size:

6"

LED Characteristics

R9 Value:

High color performance with R9 greater than or equal to 50

Technical Specifications (continued)

Other

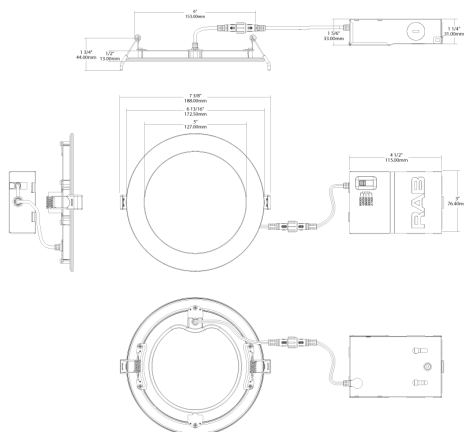
Warranty:

RAB warrants that our LED products will be free from defects in materials and workmanship for a period of five (5) years from the date of delivery to the end user, including coverage of light output, color stability, driver performance and fixture finish. RAB's warranty is subject to all terms and conditions found at rablighting.com/warranty.

Buy American Act Compliance:

RAB values USA manufacturing! Upon request, RAB may be able to manufacture this product to be compliant with the Buy American Act (BAA). Please contact customer service to request a quote for the product to be made BAA compliant.

Dimensions



Features

- 5 color temperatures in 1 SKU (2700K, 3000K, 3500K, 4000K, 5000K)
- Super slim Edge-lit fixture for thin fixture depth
- No recessed housing or J-box required
- New construction or retrofit applications
- UL wet location rated
- Smooth diffused uniform light distribution
- Dimmable down to 5% on compatible dimmers
- Spring loaded retention clips
- Robust, die cast aluminum construction
- IC and airtight rated
- 5-Year, No-Compromise Warranty

Ordering Matrix

Family	Size	Shape	Wattage	CRI/Color Temp	Voltage	Finish	Trim	Depth
WFRL	6	R	14	9FA	120	W	S	
	3 = 3" 4 = 4" 5 = 5" 6 = 6" 8 = 8"	R = Round S = Square	6 = 6W 9 = 9W 10.5 = 10.5W 12 = 12W 13 = 13W 14 = 14W 23 = 23W	9FA = 90 CRI, 2700K/3000K/3500K/4000K/5000K 9CCT = 90 CRI, 2700K/3000K/3500K/4000K/5000K	120 = 120V D = 120V/277V	W = White	B = Baffle S = Smooth	Blank = Standard S = Shallow

3" only available in round, 120V, and 6W
4" models only available with 120V. 120-277V driver sold separately. Available wattages are 9W & 10.5W.
4" shallow wafer only available with baffle trim and 9W
5" models only available in round, 120V, and 12W
6" standard 120V only available in 13W and 14W
6" standard 120-277V only available in 13W
6" shallow wafer only available with baffle trim and 13W
8" wafer only available in 23W