

Project:	Type:
Prepared By:	Date:

Driver Info		LED Info	
Type	Constant Current	Watts	13W
120V	0.13A	Color Temp	Field Adjustable
208V	N/A	Color Accuracy	90 CRI
240V	N/A	L70 Lifespan	50,000 Hours
277V	N/A	Lumens	1,048 lm
Input Watts	13W	Efficacy	76

Technical Specifications

Performance

Product Type:
Wafer Direct Mount

LEDs:
Edge-lit LED Technology

Input Wattage:
13W

Lumens (Nominal):
1,025lm | 1,075lm | 1,130lm | 1,160lm | 1,160lm

Efficacy:
78.8lm/W | 82.7lm/W | 87lm/W | 89.2lm/W | 89.2lm/W

L70 Lifespan:
50,000-Hour LED lifespan based on IES LM-80 results and TM-21 calculations

Wattage Equivalency:
75W

LED Characteristics

Color Temperature:
Field Adjustable dip switch
2700K/3000K/3500K/4000K/5000K

Color Accuracy (CRI):
90 CRI

Electrical

THD:
≤20%

Power Factor:
≥0.9

Dimmable:
TRIAC and ELV dimming compatibility

Operating Temperature:
-30°C - 40°C

Input Voltage:
120V

Operating Frequency:
60Hz

Construction

Size:
6"

Shape:
Round

Enclosure Material:
Plastic

Finish:
White

Trim Style:

Smooth Trim

Lens:

Acrylic light guide distributes light evenly and smoothly for general lighting applications

Gaskets:

Gasket included can achieve restrictive airflow and wet location without any additional gasket or cork

Optical

Beam Angle:
110°

Installation

Mounting:

Tall spring towers allow to be installed in 3/8" up to 5/8" thick ceilings
Round ceiling cutout template provided in box
Heat treated springs hold fixture fitting securely in the ceiling eliminating light leaks
Housing is less than 1/2" thick
Can be removed from below the ceiling for service or replacement

Technical Specifications (continued)

Remote Driver / Junction Box:

Die formed metal driver / junction box with captive hinged junction box cover. Recessed CCT Selectable dipswitch. Listed for (6) #12 AWG 90° C splice conductors, 2-in, 2-out plus (2) ground. (4) 1/2" conduit pry-outs. (3) wire nuts for quick and reliable line voltage connections. Integral mounting facilitates direct mounting to building structure or mounting frame.

Other

Technology EQ:

Incandescent

Buy American Act Compliance:

RAB values USA manufacturing! Upon request, RAB may be able to manufacture this product to be compliant with the Buy American Act (BAA). Please contact customer service to request a quote for the product to be made BAA compliant.

Compliance

Model Number for Certification:

DLW0055(WFRL6R139FA120WS)

Listings:

UL Listed

Environment:

Wet

Fixture Rating:

Enclosed

Air Tight:

Housing certified Air Tight as per ASTM E283

IC Rated:

Suitable for direct contact with insulation

Energy Star ID:

2365746

T24 JA8 Compliant:

Complies with Title 24 Appendix JA8

NEC Compliant:

Suitable for use in closets. Compliant with NEC Sec. 410.16 (A)(1) and 410.16 (C3).

RoHS:

Mercury and UV free. RoHS-compliant components.

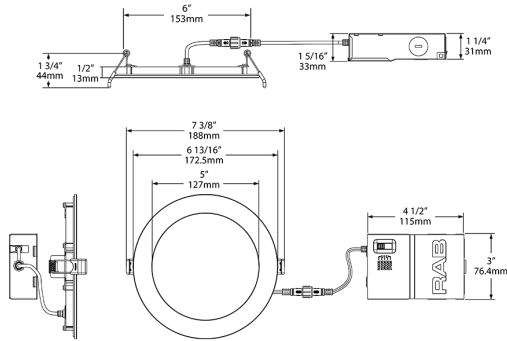
FCC:

Complies with Part 15B of the FCC Rules

Trade Agreements Act Compliant:

This product is a product of Cambodia and a "designated country" end product that complies with the Trade Agreements Act

Dimensions



Features

- 5 color temperatures in 1 SKU (2700K, 3000K, 3500K, 4000K, 5000K)
- Super slim Edge-lit fixture for thin fixture depth
- No recessed housing or J-box required
- New construction or retrofit applications
- UL wet location rated
- Smooth diffused uniform light distribution
- Dimmable down to 5% on compatible dimmers
- Spring loaded retention clips
- Robust, die cast aluminum construction
- IC and airtight rated
- 5-Year, No-Compromise Warranty

Ordering Matrix

Family	Size	Shape	Wattage	CRI/Color Temp	Voltage	Finish	Trim	Depth
WFRL	6	R	13	9FA	120	W	S	
	3 = 3"	R = Round	6 = 6W	9FA = 90 CRI, 2700K/3000K/3500K/4000K/5000K	120 = 120V	W = White	B = Baffle	Blank = Standard
	4 = 4"	S = Square	9 = 9W	9CCT = 90 CRI, 2700K/3000K/3500K/4000K/5000K	D = 120V/277V		S = Smooth	S = Shallow
	5 = 5"		10.5 = 10.5W					
	6 = 6"		12 = 12W					
	8 = 8"		13 = 13W					
			14 = 14W					
			23 = 23W					

3" only available in round, 120V, and 6W
 4" models only available with 120V. 120-277V driver sold separately. Available wattages are 9W & 10.5W.
 4" shallow wafer only available with baffle trim and 9W
 5" models only available in round, 120V, and 12W
 6" standard 120V only available in 13W and 14W
 6" standard 120-277V only available in 13W
 6" shallow wafer only available with baffle trim and 13W
 8" wafer only available in 23W