



Project:	Type:
Prepared By:	Date:

Driver Info		LED Info	
Type	Constant Current	Watts	13W
120V	.13A	Color Temp	Field Adjustable: 2700K/3000K/3500K/4000K/5000K
208V	N/A	Color Accuracy	90 CRI
240V	N/A	L70 Lifespan	50,000 Hours
277V	N/A	Lumens	1,000 lm
Input Watts	13W	Efficacy	77

Technical Specifications

Performance

Product Type:

Back-Lit Wafer

Description:

Field selectable color temperatures in one wafer with an ultra shallow depth for recessed mounting.

Wattage Equivalency:

60W Incandescent

Lumens (Nominal):

2700K @ 1,000lm;
3000K @ 1,030lm;
3500K @ 1,065lm;
4000K @ 1,080lm;
5000K @ 1,070lm

Efficacy:

2700K @ 72lm/W;
3000K @ 74lm/W;
3500K @ 75lm/W;
4000K @ 76lm/W;
5000K @ 75lm/W

L70 Lifespan:

50,000-Hour LED lifespan based on IES LM-70 results

Electrical

Driver:

Constant Current, Class 2, 50/60 Hz 120V, 120V: 0.13 A

THD:

≤20%

Power Factor:

≥0.9

Dimmable:

Yes, TRIAC, dims down to 10%. See Dimmer Compatibility List

Input Voltage:

120V

Operating Frequency:

60 Hz

Operating Temperature:

-4°F to 104°F (-20°C to 40°C)

Flicker:

≤5%

LED Characteristics

Color Temperature:

Field Adjustable dip switch
2700K/3000K/3500K/4000K/5000K

Color Accuracy (CRI):

>90 CRI

R9 Value:

High color performance with R9 greater than or equal to 50

Color Consistency:

4-step MacAdam Ellipse binning to achieve consistent fixture-to-fixture color

Color Stability:

LED color temperature is warranted to shift no more than 200K in color temperature over a 5-year period

Color Uniformity:

RAB's range of Correlated Color Temperature follows the guidelines of the American National Standard for Specifications for the Chromaticity of Solid State Lighting (SSL) Products, ANSI C78.377-2017.

Installation

Mounting:

Recessed

Construction

Size:

6"

Technical Specifications (continued)

Shape:

Round

Finish:

White

Housing Material:

Metal and Plastic

Trim Style:

Baffle

Gaskets:

Gasket included can achieve restrictive airflow and wet location without any additional gasket or caulk

Lens:

Acrylic light guide distributes light evenly and smoothly for general lighting applications

Beam Angle:

110°

Remote Driver:

Stamping formed galvanized steel driver / junction box with captive hinged junction box cover.

Recessed CCT Selectable dip-switch.

Listed for (6) #12 AWG 90° C splice conductors

2-in, 2-out plus 2-ground

(4) 1/2" conduit pry-outs

(3) Push in connectors for quick and reliable line voltage connections. Integral mounting facilitates direct mounting to building structure or mounting frame.

Cut Out Template Size:

6 5/16"

IC Rated:

Suitable for direct contact with insulation

Compliance
Listings:

UL Listed

Environment:

Suitable for use in dry, damp, and wet environments.

Air Tight:

Housing certified Air Tight as per ASTM E283

Energy Star Approved:

This product is ENERGY STAR® Version 2.2 Certified

Energy Star ID:

2401395

Model Number for Certification:

DLW0095(WFRL6R139FA120WBS)

T20 Compliant:

Not Compliant

California Title 24 JA8 Compliant:

Can be used to conform with the requirements of California Title 24 Part 6

California Energy Commission (CEC) Status:

Lawful for Sales in California

NEC Compliant:

Suitable for use in closets. Compliant with NEC Sec. 410.16 (A)(1) and 410.16 (C3).

IESNA LM-79 & lm-80 Testing:

RAB LED luminaires and LED components have been tested by an independent laboratory in accordance with IESNA lm-79 and lm-80

RoHS:

Mercury and UV free. RoHS-compliant components.

FCC:

Complies with Part 15B of the FCC Rules

Trade Agreements Act Compliant:

This product is a product of Cambodia and a "designated country" end product that complies with the Trade Agreements Act

Other
Compatible Products:

DRI-25-EMGR-DC

25W Emergency Driver

HAD4/D10

120-277V driver 0-10V dimming

Accessories:

WFRL-TRIM-6R-BS

6" Black Smooth Trim

WFRL-TRIM-6R-BRS

6" Bronze Smooth Trim

WFRL-TRIM-6R-BNS

6" Brushed Nickel Smooth Trim

WFRL-GOOF-4R-6R-W

4"-6" Goof Ring

WFRL-GOOF-6R-8R-W

6"-8" Goof Ring

DLPLATE/WFR3468/NB

3"/4"/6"/8" Mounting Plate

EXTCBL-FA-6

6' Extension Cable

EXTCBL-FA-12

12' Extension Cable

EXTCBL-FA-20

20' Extension Cable

Warranty:

RAB warrants that our LED products will be free from defects in materials and workmanship for a period of five (5) years from the date of delivery to the end user, including coverage of light output, color stability, driver performance and fixture finish. RAB's warranty is subject to all terms and conditions found at rablighting.com/warranty.

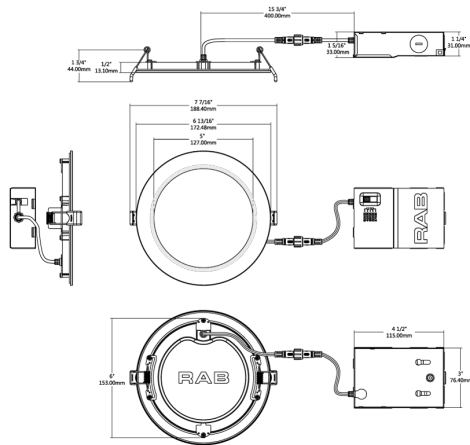
Note:

All values are typical (tolerance +/- 10%)

Buy American Act Compliance:

RAB values USA manufacturing! Upon request, RAB may be able to manufacture this product to be compliant with the Buy American Act (BAA). Please contact customer service to request a quote for the product to be made BAA compliant.

Dimensions



Features

- 5 color temperatures in 1 SKU (2700K, 3000K, 3500K, 4000K, 5000K)
- Super slim back-lit fixture for thin fixture depth
- Suitable for indoor/outdoor applications in dry, damp, or wet environments
- Dimmable, see Dimmer Compatibility List
- Robust, die cast aluminum construction
- Smooth diffused uniform light distribution

Ordering Matrix

Family	Size	Shape	Wattage	CRI/Color Temp	Voltage	Finish	Trim	Depth
WFRL	6	R	13	9FA	120	W	B	S
	3 = 3"	R = Round	6 = 6W	9FA = 90 CRI, 2700K/3000K/3500K/4000K/5000K	120 = 120V	W = White	B = Baffle	Blank = Standard
	4 = 4"	S = Square	9 = 9W	9CCT = 90 CRI, 2700K/3000K/3500K/4000K/5000K	D = 120V/277V	S = Smooth	S = Shallow	
	5 = 5"		10.5 = 10.5W					
	6 = 6"		12 = 12W					
	8 = 8"		13 = 13W					
			14 = 14W					
			23 = 23W					