

<b>Project:</b>	<b>Type:</b>
<b>Prepared By:</b>	<b>Date:</b>

Driver Info		LED Info	
Type	Constant Current	Watts	9W
120V	0.10A	Color Temp	Field Adjustable
208V	N/A	Color Accuracy	90 CRI
240V	N/A	L70 Lifespan	50,000 Hours
277V	N/A	Lumens	668 lm
Input Watts	9W	Efficacy	72

## Technical Specifications

### Performance

**Product Type:**  
Wafer Direct Mount

**LEDs:**  
Edge-lit LED Technology

**Input Wattage:**  
9W

**Lumens (Nominal):**  
650lm | 690lm | 720lm | 735lm | 735lm

**Efficacy:**  
81.7lm/W | 76.7lm/W | 80lm/W | 81.7lm/W | 81.7lm/W

**L70 Lifespan:**  
50,000-Hour LED lifespan based on IES LM-80 results and TM-21 calculations

**Wattage Equivalency:**  
60W

### LED Characteristics

**Color Temperature:**  
Field Adjustable dip switch  
2700K/3000K/3500K/4000K/5000K

**Color Accuracy (CRI):**  
90 CRI

### Electrical

**THD:**  
≤20%

**Power Factor:**  
≥0.9

**Dimmable:**  
TRIAC and ELV dimming compatibility

**Operating Temperature:**  
-30°C - 40°C

**Input Voltage:**  
120V

**Operating Frequency:**  
60Hz

### Construction

**Size:**  
4"

**Shape:**  
Round

**Enclosure Material:**  
Plastic

**Finish:**  
White

### Trim Style:

Smooth Trim

### Lens:

Acrylic light guide distributes light evenly and smoothly for general lighting applications

### Gaskets:

Gasket included can achieve restrictive airflow and wet location without any additional gasket or calk

### Optical

**Beam Angle:**  
110°

### Installation

**Mounting:**  
Tall spring towers allow to be installed in 3/8" up to 5/8" thick ceilings  
Round ceiling cutout template provided in box  
Heat treated springs hold fixture fitting securely in the ceiling eliminating light leaks  
Housing is less than 1/2" thick  
Can be removed from below the ceiling for service or replacement

## Technical Specifications (continued)

### Remote Driver / Junction Box:

Die formed metal driver / junction box with captive hinged junction box cover. Recessed CCT Selectable dipswitch. Listed for (6) #12 AWG 90° C splice conductors, 2-in, 2-out plus (2) ground. (4) 1/2" conduit pry-outs. (3) wire nuts for quick and reliable line voltage connections. Integral mounting facilitates direct mounting to building structure or mounting frame.

### Other

#### Technology EQ:

Incandescent

### Buy American Act Compliance:

RAB values USA manufacturing! Upon request, RAB may be able to manufacture this product to be compliant with the Buy American Act (BAA). Please contact customer service to request a quote for the product to be made BAA compliant.

### Compliance

#### Model Number for Certification:

DLW0053(WFRL4R99FA120WS)

#### Listings:

UL Listed

#### Environment:

Wet

#### Fixture Rating:

Enclosed

#### Air Tight:

Housing certified Air Tight as per ASTM E283

#### IC Rated:

Suitable for direct contact with insulation

#### Energy Star ID:

2365615

#### T24 JA8 Compliant:

Complies with Title 24 Appendix JA8

#### NEC Compliant:

Suitable for use in closets. Compliant with NEC Sec. 410.16 (A)(1) and 410.16 (C3).

#### RoHS:

Mercury and UV free. RoHS-compliant components.

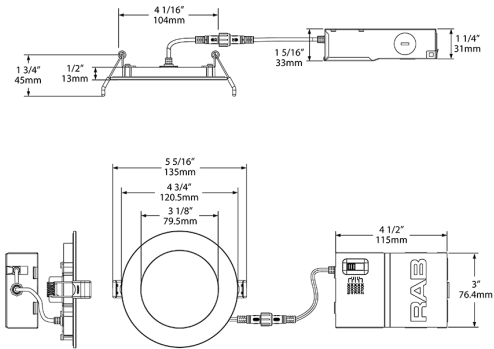
#### FCC:

Complies with Part 15B of the FCC Rules

### Trade Agreements Act Compliant:

This product is a product of Cambodia and a "designated country" end product that complies with the Trade Agreements Act

## Dimensions



## Features

- 5 color temperatures in 1 SKU (2700K, 3000K, 3500K, 4000K, 5000K)
- Super slim Edge-lit fixture for thin fixture depth
- No recessed housing or J-box required
- New construction or retrofit applications
- UL wet location rated
- Smooth diffused uniform light distribution
- Dimmable down to 5% on compatible dimmers
- Spring loaded retention clips
- Robust, die cast aluminum construction
- IC and airtight rated
- 5-Year, No-Compromise Warranty

## Ordering Matrix

Family	Size	Shape	Wattage	CRI/Color Temp	Voltage	Finish	Trim	Depth
WFRL	4	R	9	9FA	120	W	S	
	3 = 3"	R = Round	6 = 6W	9FA = 90 CRI, 2700K/3000K/3500K/4000K/5000K	120 = 120V	W = White	B = Baffle	Blank = Standard
	4 = 4"	S = Square	9 = 9W	9CCT = 90 CRI, 2700K/3000K/3500K/4000K/5000K	D = 120V/277V		S = Smooth	S = Shallow
	5 = 5"		10.5 = 10.5W					
	6 = 6"		12 = 12W					
	8 = 8"		13 = 13W					
			14 = 14W					
			23 = 23W					

3" only available in round, 120V, and 6W  
 4" models only available with 120V. 120-277V driver sold separately. Available wattages are 9W & 10.5W.  
 4" shallow wafer only available with baffle trim and 9W  
 5" models only available in round, 120V, and 12W  
 6" standard 120V only available in 13W and 14W  
 6" standard 120-277V only available in 13W  
 6" shallow wafer only available with baffle trim and 13W  
 8" wafer only available in 23W