



<b>Project:</b>	<b>Type:</b>
<b>Prepared By:</b>	<b>Date:</b>

Driver Info		LED Info	
Type	Constant Current	Watts	9W
120V	0.115A	Color Temp	2700K (Residential Warm)
208V	N/A	Color Accuracy	80 CRI
240V	N/A	L70 Lifespan	50,000 Hours
277V	N/A	Lumens	622 lm
Input Watts	9W	Efficacy	61.11111111

**Technical Specifications**

**Compliance**

**UL Listed:**

Suitable for wet locations

**Energy Star Approved:**

ENERGY STAR® Version 2.2 Certified

**Model Number for Certification:**

DLW0005

**NEC Compliant:**

Suitable for use in closets. Compliant with NEC Sec. 410.16 (A)(1) and 410.16 (C5).

**Electrical**

**Dimming Driver:**

TRIAC compatible dimmer with dimming as low as 5%. [See dimmer compatibility guide here.](#)

**Power Factor:**

≥0.9

**Remote Driver:**

Die-cast metal driver / junction box with a hinged cover.  
Listed for 12AWG and 14AWG conduit.  
Includes two metal knockouts for wiring.  
Quick connectors included.  
Plenum rated cable connector to connect from module to remote driver box.

**PF:**

≥0.9

**Input Voltage:**

120V

**Operating Frequency (Hz):**

60Hz

**Performance**

**Lifespan:**

50,000-Hour LED lifespan based on IES LM-80 results and TM-21 calculations

**Wattage Equivalency:**

60W Incandescent

**Construction**

**IC Rated:**

Suitable for direct contact with insulation.  
Type IC inherently protected, suitable for direct contact to air permeable insulation and cULus listed for damp locations.  
Not for use in direct contact with spray foam insulation, consult NEMA LSD57-2013.

**Air Tight:**

Housing certified Air Tight as per ASTM E283

**Edgelit Design:**

Allows for extremely thin fixture depth for any ceiling application

**Trim Style:**

Smooth Trim

**Housing:**

Made from precision die-cast aluminum construction, dissipates heat from electrical components

**Cold Weather Starting:**

The minimum starting temperature is -30°C (-22°F)

**Maximum Ambient Temperature:**

Suitable for use in up to 40°C (104°F)

## Technical Specifications (continued)

**Lens:**

Frosted polycarbonate diffusion lens

**Green Technology:**

Mercury and UV free. RoHS-compliant components.

**Mounting:**

Robust retention clips spring loaded tabs ensure the fixture is securely installed. Can be installed in 1/4" to 1 1/2" thick ceilings.

**Finish:**

Matte White

---

**Optical****Beam Angle:**

120°

---

**LED Characteristics****LEDs:**

Long-life, high-efficacy, surface-mount LEDs

---

**Other****Template:**

Template included for easy ceiling cut out

**Warranty:**

RAB warrants that our LED products will be free from defects in materials and workmanship for a period of five (5) years from the date of delivery to the end user, including coverage of light output, color stability, driver performance and fixture finish. RAB's warranty is subject to all terms and conditions found at [rablighting.com/warranty](http://rablighting.com/warranty).

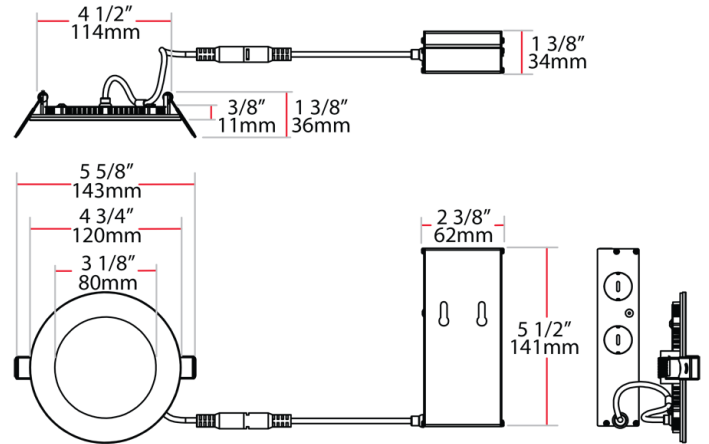
**Buy American Act Compliance:**

RAB values USA manufacturing! Upon request, RAB may be able to manufacture this product to be compliant with the Buy American Act (BAA). Please contact customer service to request a quote for the product to be made BAA compliant.

## Case and Pallet Dimensions

	QTY	LENGTH (in)	WIDTH (in)	HEIGHT (in)
CASE	6	12.13	7.91	6
PALLET	720	5.71	2.36	36.85

## Dimension



## Features

- Super slim Edge-lit fixture for thin fixture depth
- No recessed housing or J-box required
- New construction or retrofit applications
- UL wet location rated
- Smooth diffused uniform light distribution
- Dimmable down to 5% on compatible dimmers
- Spring loaded retention clips
- Robust, die cast aluminum construction
- IC and airtight rated
- 5-Year, No-Compromise Warranty

## Ordering Matrix

Family	Size	Shape	Wattage	CRI/Color Temp	Voltage	Finish	Trim
WFR	4	R	9	827	120	W	S
	4 = 4" 6 = 6"	R = Round	9 = 9W 13 = 13W	940 = 90 CRI, 4000K Neutral 930 = 90 CRI, 3000K Warm	120 = 120V (Phase Dimming)	W = White	S = Smooth